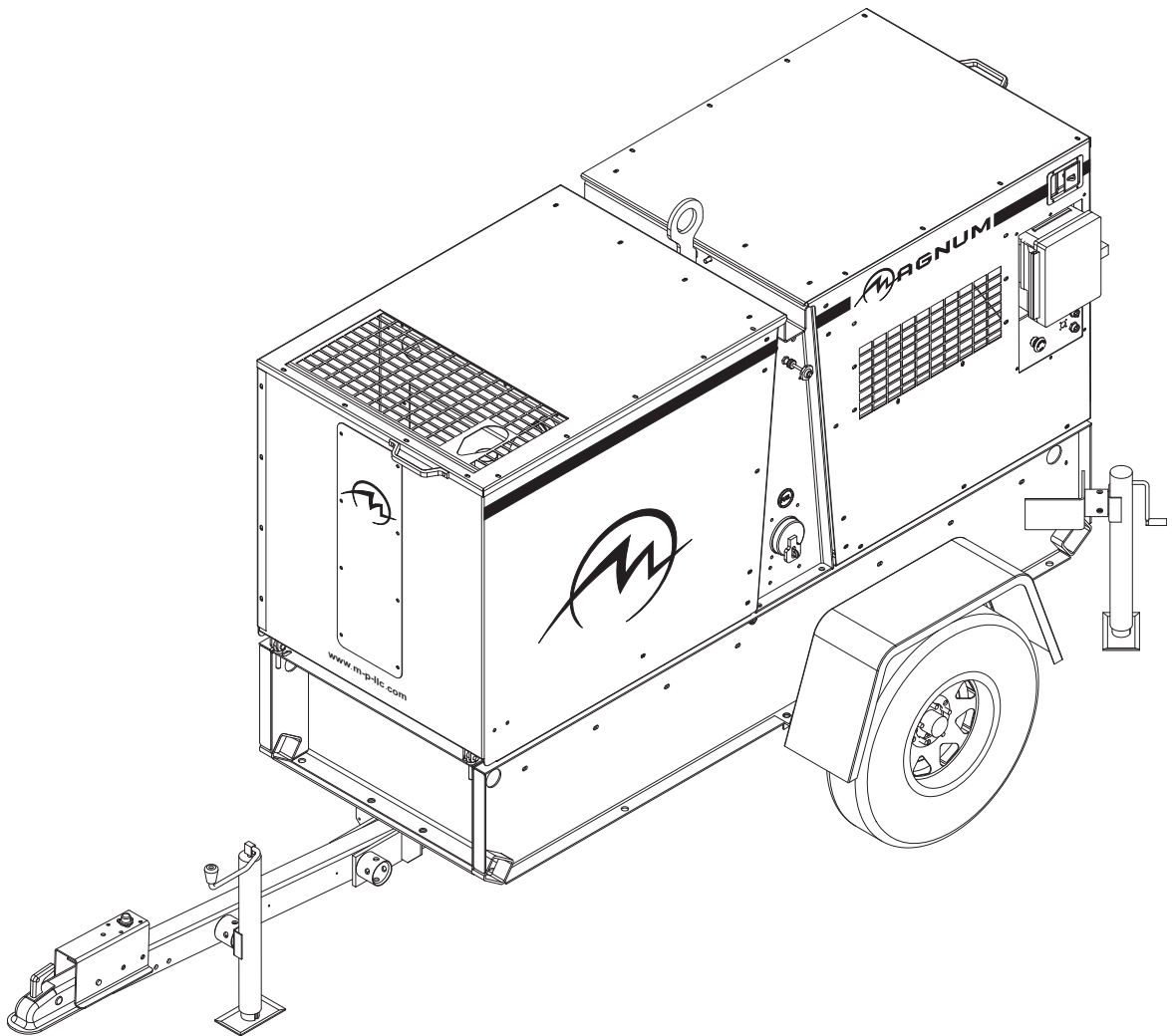




DRY-PRIME DIESEL TRASH PUMP MTP4500FHDI4P



PARTS MANUAL

INTRODUCTION

Before servicing this machine, make sure the engine start switch is turned to off "O", the emergency stop switch is closed (pushed in), and the negative (-) battery terminal is disconnected. Attach a "DO NOT START" sign to the control panel. This will notify everyone that the unit is being serviced and will reduce the chance of someone inadvertently trying to start the unit.

▲ WARNING

Before operating or servicing this equipment, read and understand the Magnum Operating Manual which was included with the unit when shipped from the factory. Failure to do so increases the risk of injury to yourself or others.

MAGNUM POWER PRODUCTS LLC

215 Power Drive • Berlin, WI 54923

U.S.A.

Phone: 920-361-4442

FAX: 920-361-4416

Toll Free: 1-800-926-9768

www.m-p-llc.com

For technical or parts QUESTIONS, please contact the Magnum Power Products LLC Customer Support or Technical Support team at 1-800-926-9768. Please have your serial number available.

To ORDER SERVICE PARTS, please contact the dealer from which you purchased the unit, or call Magnum Power Products LLC to locate a dealer in your area.

Engine Make: _____

Engine Serial Number: _____

Engine Model Number: _____

Pump Make: _____

Pump Model Number: _____

Pump Serial Number: _____

Unit Model Number: _____

Unit Serial Number: _____

▲ WARNING

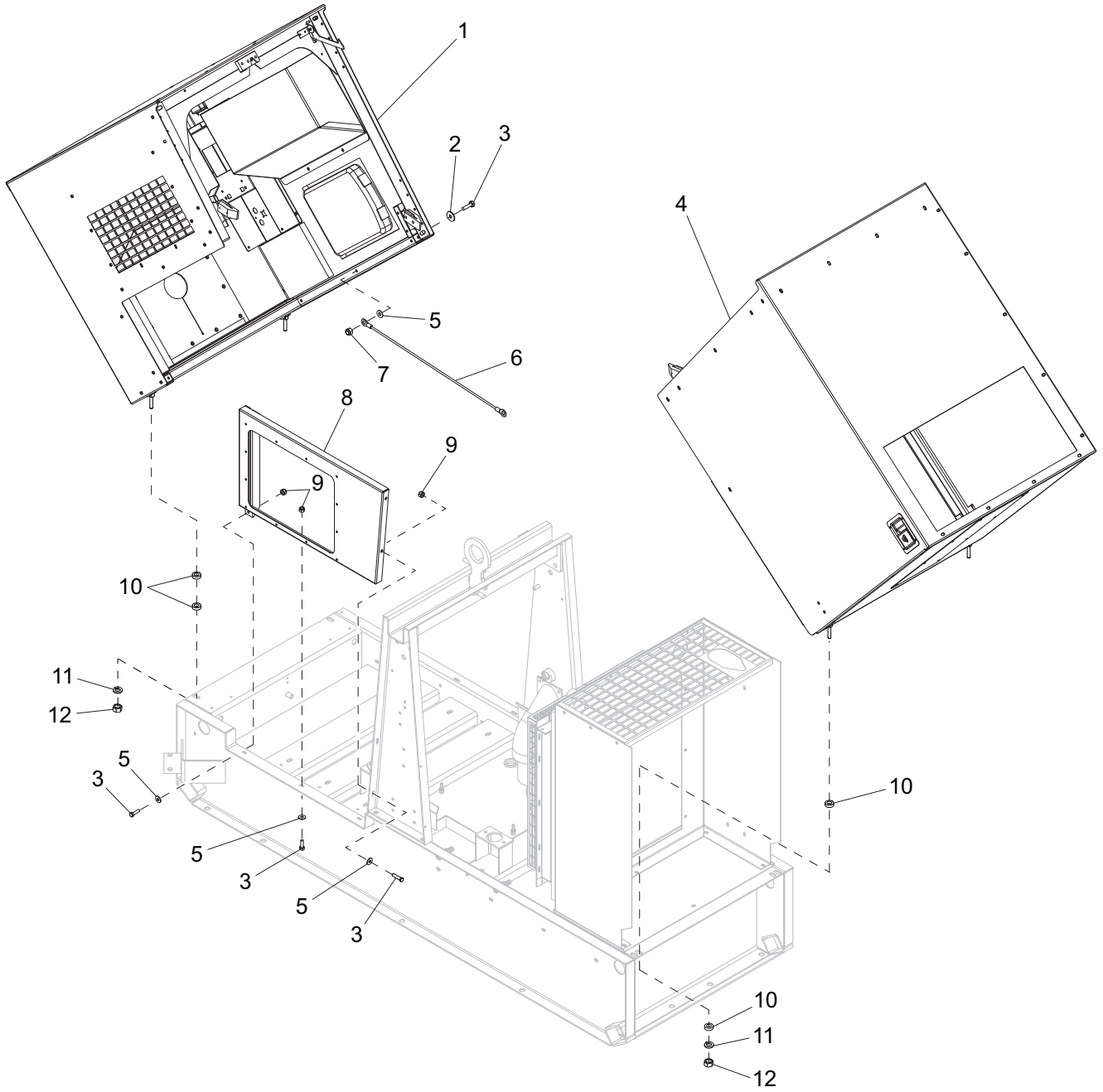
CALIFORNIA PROPOSITION 65 WARNING:

Diesel engine exhaust and some of its constituents are known to the state of California to cause cancer, birth defects and other reproductive harm.

TABLE OF CONTENTS

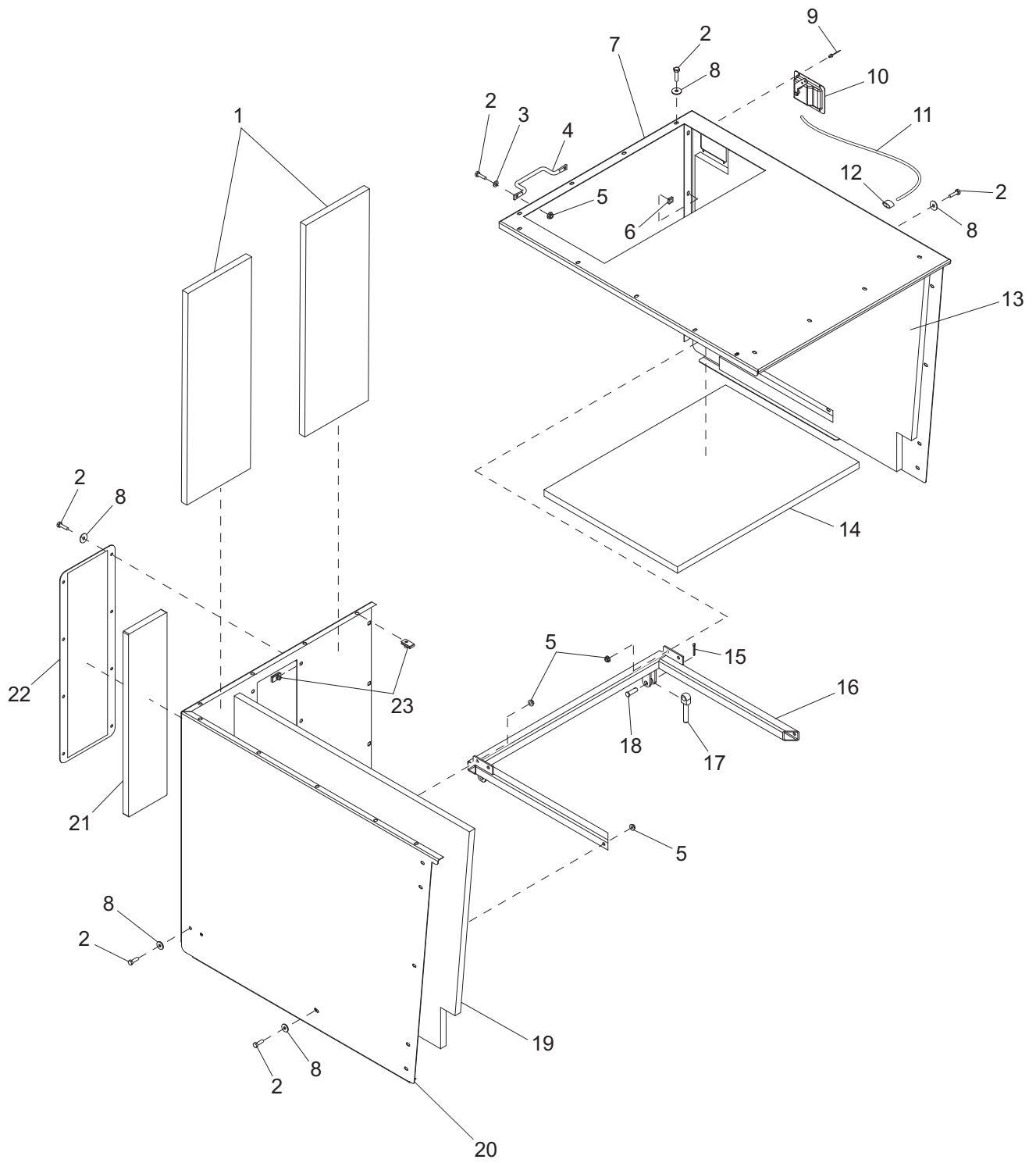
	Page
INTRODUCTION	2
UNIT DECALS - LEFT AND REAR SIDES	4
UNIT DECALS - RIGHT AND FRONT SIDES.....	5
HOODS TO SKID ASSEMBLY.....	6
FRONT HOOD ASSEMBLY (1 OF 2).....	8
FRONT HOOD ASSEMBLY (2 OF 2).....	10
REAR HOOD ASSEMBLY (1 OF 2).....	12
REAR HOOD ASSEMBLY (2 OF 2).....	14
SIDE OUTLET PANEL ASSEMBLY	16
CONTROL BOX ASSEMBLY	18
LIFT STRUCTURE ASSEMBLY.....	20
AIR FILTER ASSEMBLY	22
EXHAUST SYSTEM ASSEMBLY	24
COOLING SYSTEM ASSEMBLY	26
ENGINE AND PUMP TO SKID ASSEMBLY	28
ENGINE ASSEMBLY - LEFT SIDE	30
ENGINE ASSEMBLY - RIGHT SIDE.....	32
HOTSTART KIT OPTION.....	34
EXTERNAL PUMP ASSEMBLY	36
PUMP AIR COMPRESSOR ASSEMBLY	38
AIR EDUCTOR KIT	40
BEARING FRAME ASSEMBLY	42
PRIMING CHAMBER ASSEMBLY	44
INTERNAL PUMP ASSEMBLY	46
SKID ASSEMBLY	48
FUEL TANK ASSEMBLY	50
TRAILER ASSEMBLY	52
AXLE ASSEMBLY	54
TRAILER BRAKE LINES - SINGLE AXLE, FLIP TONGUE	56
RECOMMENDED SPARE PARTS LIST.....	58

HOODS TO SKID ASSEMBLY



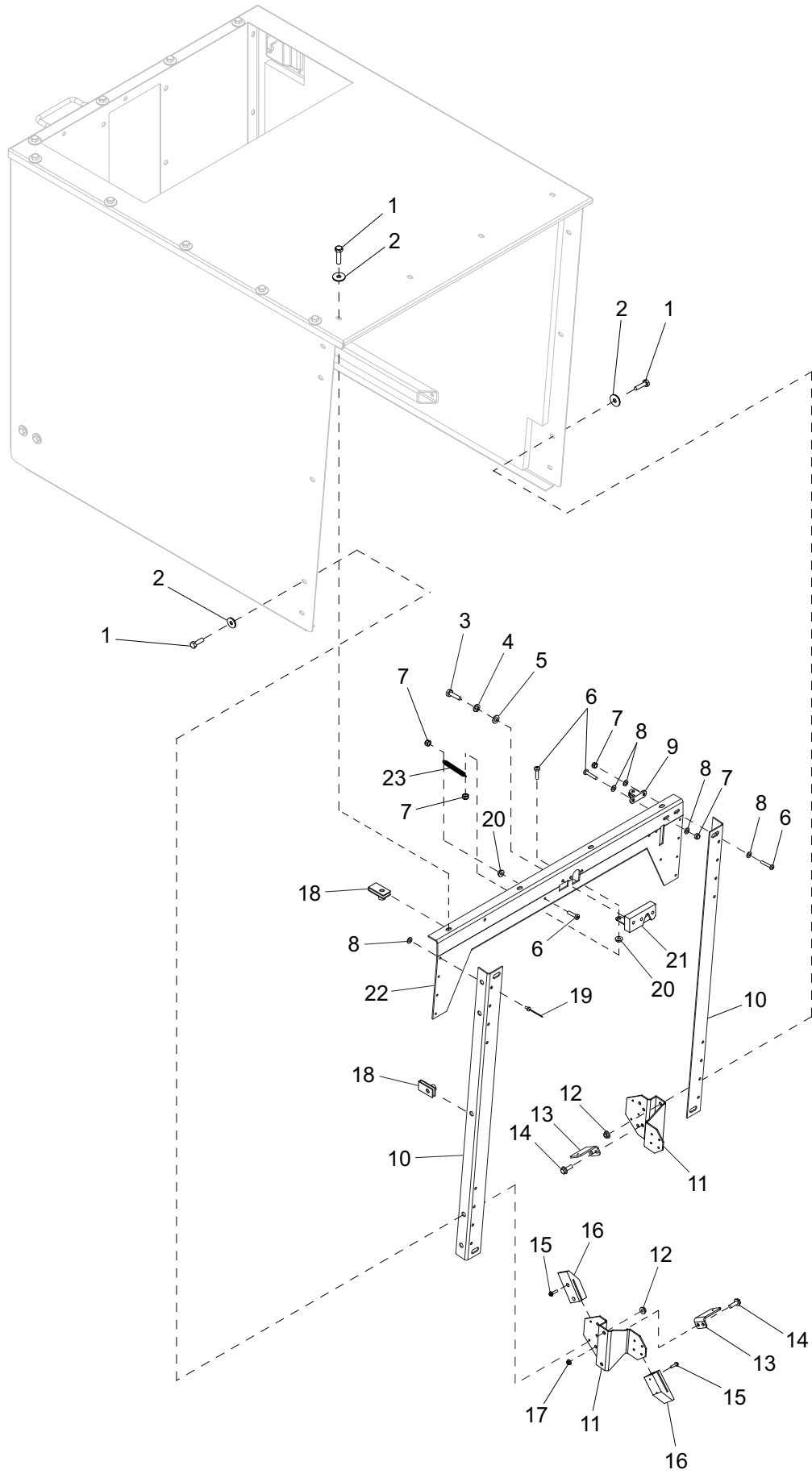
ITEM	PART NO.	QTY	DESCRIPTION	NOTES
1	<i>Pages 12-15</i>	1	Assembly, rear hood	
2	60452	1	Washer, .313 flat 1.125/1.0, SS	Bonded rubber
3	60507	8	Screw, .312-18x1.0 std hex, SS	
4	<i>Pages 8-11</i>	1	Assembly, front hood	
5	60340	7	Washer, .312 flat .875/.040, SS	
6	49898	1	Tether, cable steel - .188x30.0 w/eyelets	
7	60285	1	Nut, .312-18 hex, G2	
8	<i>Page 16</i>	1	Assembly, side outlet panel	
9	60303	7	Nut, .312-18 nylock, G2	
10	24748B	8	Spacer, rod end	
11	60702	4	Washer, .500 split lock, SS	
12	60681	4	Nut, .500-13 hex, SS	

FRONT HOOD ASSEMBLY (1 OF 2)



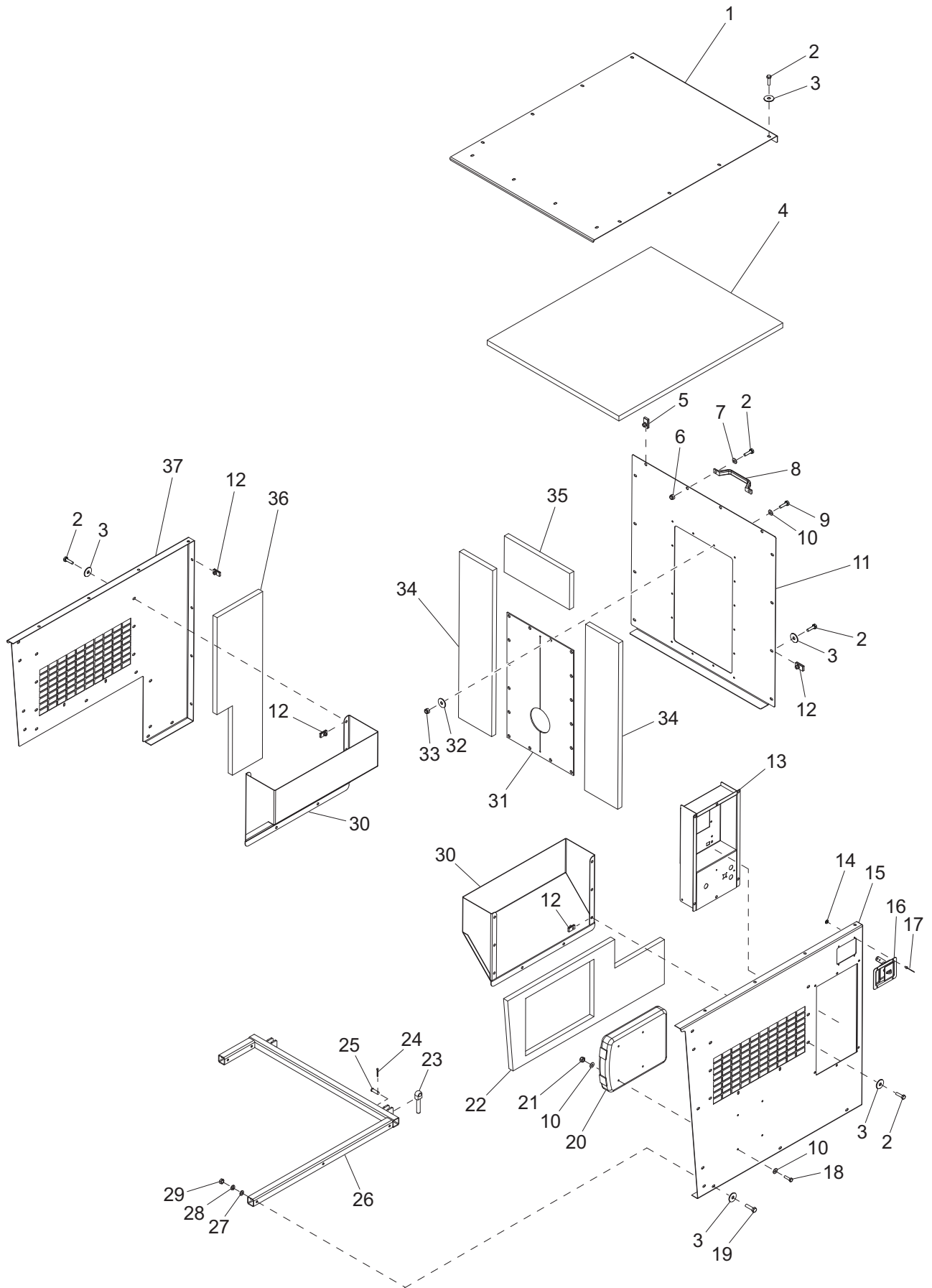
ITEM	PART NO.	QTY	DESCRIPTION	NOTES
1	30163	2	Foam, front panel	
2	60507	27	Screw, .312-18x1.0 std hex, SS	
3	60340	2	Washer, .312 flat .875/.040, SS	
4	26288	1	Handle, front hood access	
5	60095	6	Nut, .312-18 sflg	
6	15425	4	Nut, .312-18 cage	
7	24206W	1	Panel, front upper hood	
8	60452	25	Washer, .313 flat 1.125/1.0, SS	Bonded rubber
9	60268	4	Rivet, .188 dia. x .126 to .250 grip, SS	
10	24676	1	Latch, paddle w/padlock handle	
11	24677	1	Cable, remote latch - 56 in	
12	24678	2	Crimp, cable - for remote latch	
13	26200	1	Foam, front right panel	
14	26203	1	Foam, front top panel	
15	15380	2	Pin, cotter - .125x1.250	
16	26280B	1	Weldment, front hood hinge	
17	60989	2	Bolt, .500-13x3.125 rod end	
18	60745	2	Pin, clevis - .500 dia. x 1.50	
19	26201	1	Foam, front left panel	
20	24207W	1	Panel, front side hood	
21	24962	1	Foam, front cutout	
22	24828W	1	Panel, actuator clearance hole	
23	60505	17	Nut, .312-18 U-clip	

FRONT HOOD ASSEMBLY (2 OF 2)



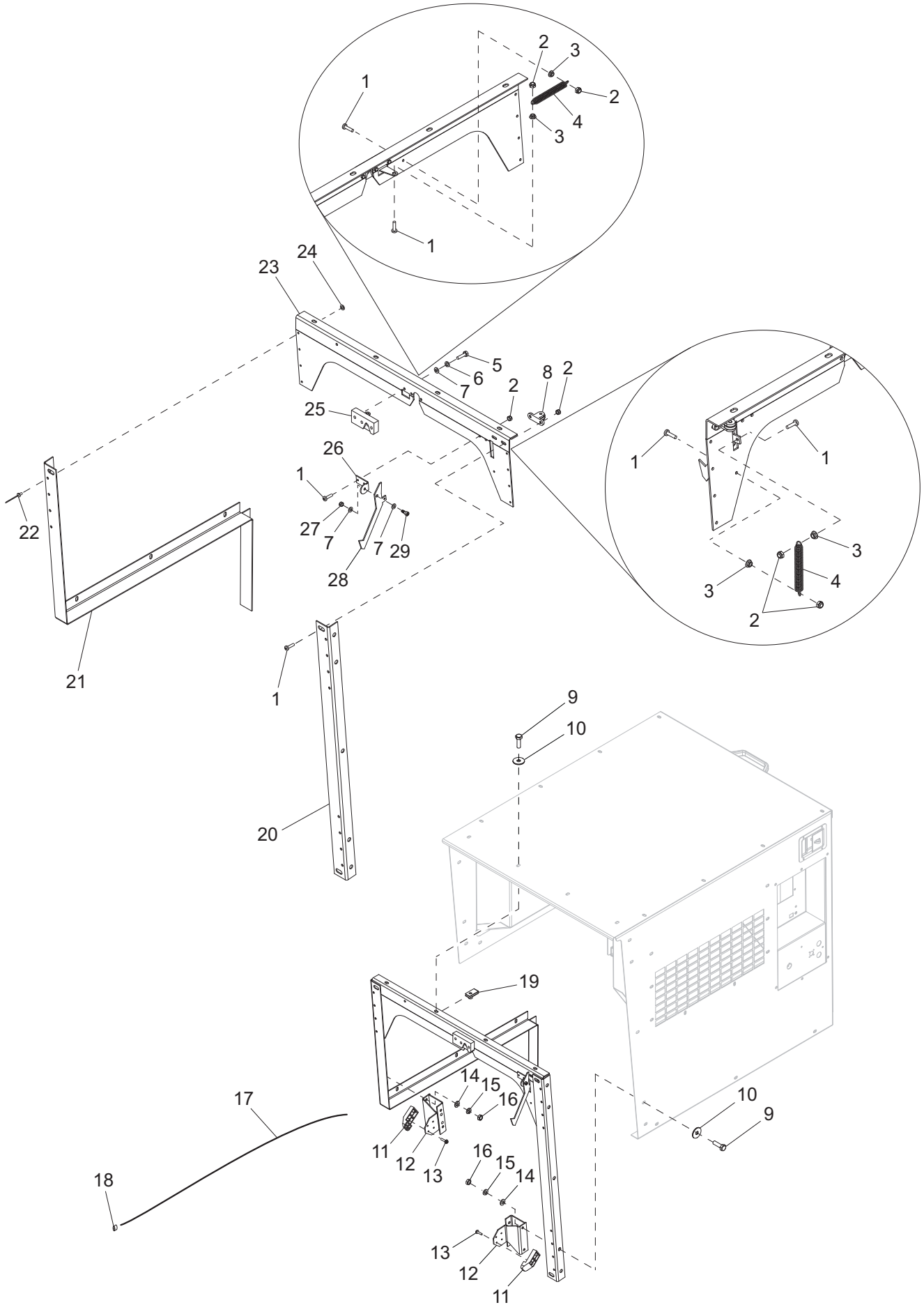
ITEM	PART NO.	QTY	DESCRIPTION	NOTES
1	60507	14	Screw, .312-18x1.00 std hex, SS	
2	60452	14	Washer, .313 flat 1.125/1.0, SS	Bonded rubber
3	60393	3	Screw, .250-20x1.0 std hex, G5	
4	60286	3	Washer, .250 split lock	
5	60243	3	Washer, .250 flat .735/.060	
6	60062	4	Screw, 10-32x.750 pan phil, G2	
7	60061	4	Nut, 10-32 nylock	
8	60041	12	Washer, M5 flat	
9	24441	1	Pulley, cable - .750 in	
10	24218B	2	Bracket, side sealing	
11	24538B	2	Weldment, front alignment bracket	
12	60095	2	Nut, .312-18 sflg	
13	24539ZC	2	Bracket, front hood stop	
14	60479	2	Screw, .250-20x1.0 sflg hex, G5	
15	60426	8	Screw, 8-18x.750 flg hex, G2	Thread forming
16	30249	4	Shoe, hood guide	
17	60161	2	Nut, .250-20 sflg, G5	
18	60505	10	Nut, .312-18 U-clip	
19	60231	8	Rivet, .188 dia. x .375 to .500 grip	
20	61045	2	Nut, 10-32 sflg	
21	26287	1	Latch, remote right - w/spring return	
22	24219B	1	Bracket, top sealing	
23	26162	1	Spring, hood - .250x1.93	
--	50197	9.64 ft	Weatherstripping - .06x1.00	Not shown
--	50354	15.5 ft	Seal, rubber - bubble type (.750)	Not shown, used on hood edges
--	50358	9 ft	Seal, rubber - bubble type (1.00)	Not shown, used on area touching top lift post and top lift channel.
--	33174	1	Assembly, front hood	Pages 8-11

REAR HOOD ASSEMBLY (1 OF 2)



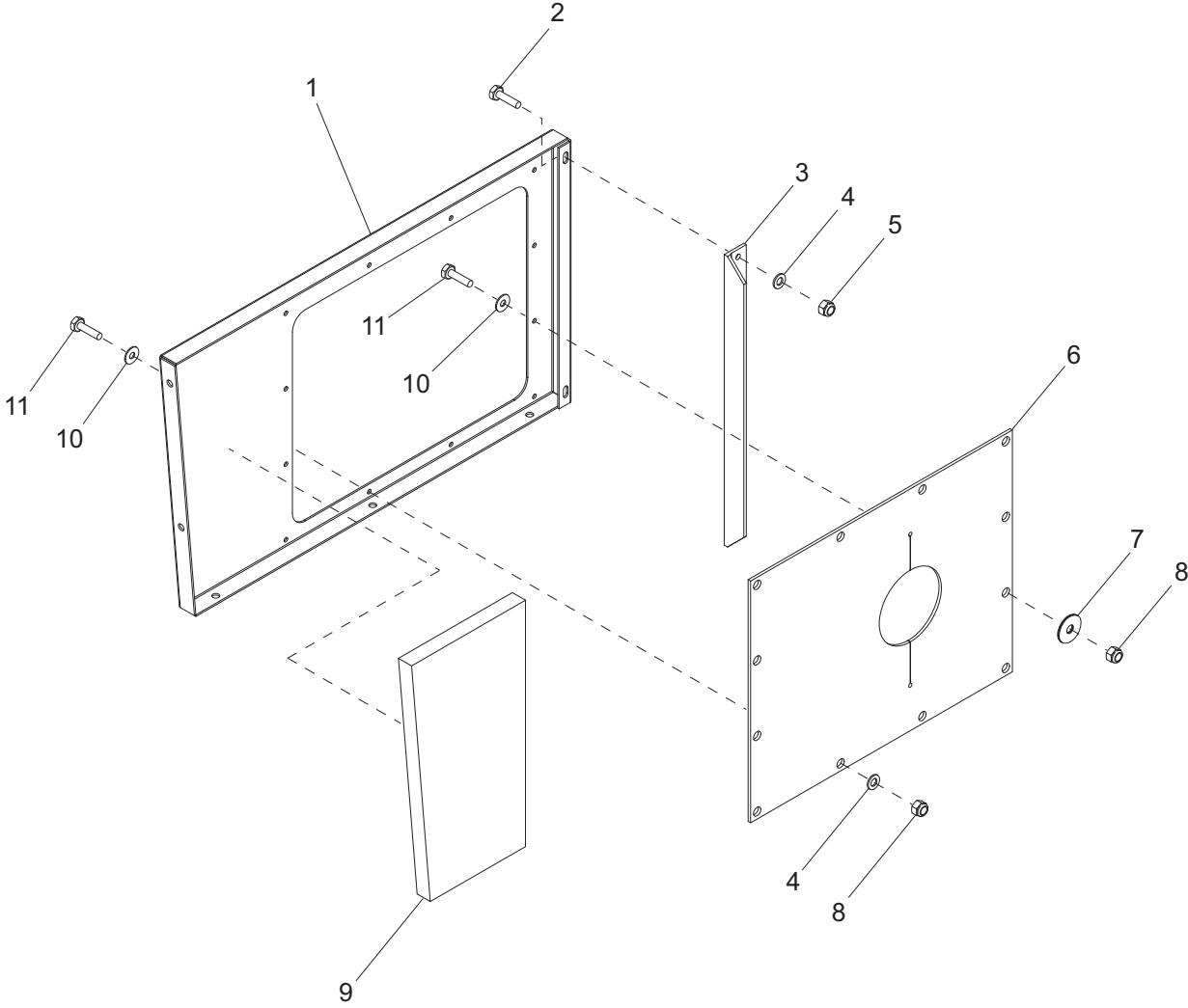
ITEM	PART NO.	QTY	DESCRIPTION	NOTES
1	49790W	1	Panel, hood - top	
2	60507	38	Screw, .312-18x1.0 std hex, SS	
3	60452	49	Washer, .313 flat 1.125/1.0, SS	Bonded rubber
4	49862	1	Foam, top panel	
5	62086	2	Nut, .312-18 U-clip - short type	
6	60095	2	Nut, .312-18 sflg	
7	60340	2	Washer, .312 flat .875/.040, SS	
8	26288	1	Handle, rear hood access	
9	60684	16	Screw, .250-20x.875 std hex, SS	
10	60696	24	Washer, .250 flat .625/.050, SS	
11	49789W	1	Panel, hood - rear	
12	60505	32	Nut, .312-18 U-clip - long type	
13	Page 18	1	Box, controls mounting	
14	60269	4	Washer, #8 flat .433/.036	
15	31072W	1	Panel, hood - left	
16	24676	1	Latch, paddle w/padlock handle	
17	60268	4	Rivet, .188 dia. x .126 to .250 grip	
18	61195	4	Screw, .250-20x.750 std hex, SS	
19	62043	5	Screw, .312-18x2.250 std hex, SS	
20	24540	1	Holder, manual	
21	60787	4	Nut, .250-20 nylock, SS	
22	32659	1	Foam, control side	
23	60989	2	Bolt, .50-13x3.125 rod end	
24	15380	2	Pin, cotter - .125x1.250	
25	60745	2	Pin, clevis - .500 dia. x 1.50	
26	31087B	1	Weldment, hood hinge	
27	60119	5	Washer, .312 flat .875/.070	
28	60271	5	Washer, .312 split lock	
29	60285	5	Nut, .312-18 hex, G2	
30	31785W	2	Duct, air	
31	32682	1	Rubber seal - 4.00 in. pump inlet	
32	60089	16	Washer, .265 fender 1.250/.060	
33	60144	16	Nut, .250-20 nylock, G5	
34	49863	2	Foam, rear hood - sides	
35	49864	1	Foam, rear hood - top	
36	32661	1	Foam, rear hood	
37	31071W	1	Panel, hood - right	

REAR HOOD ASSEMBLY (2 OF 2)



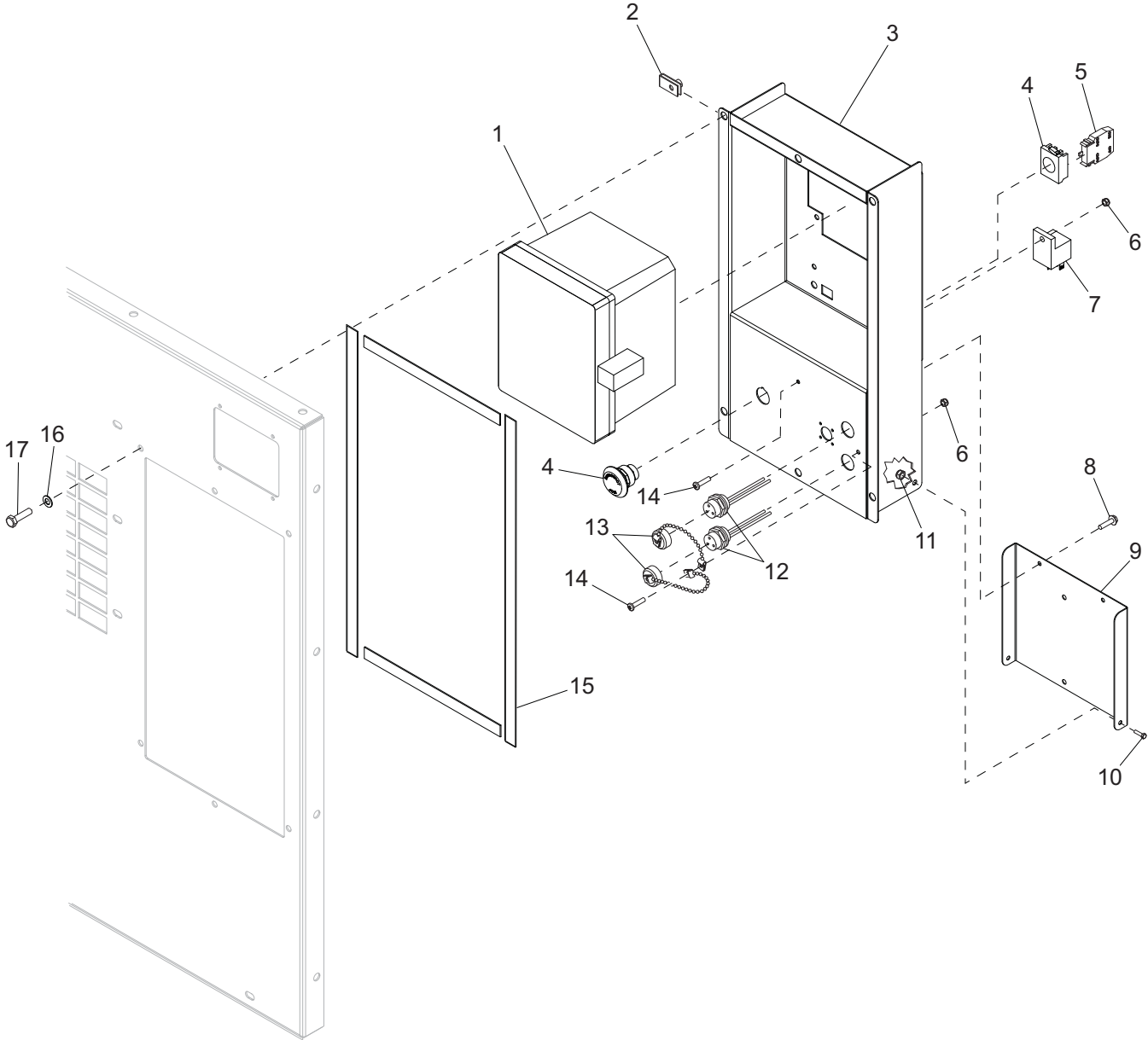
ITEM	PART NO.	QTY	DESCRIPTION	NOTES
1	60062	8	Screw, 10-32x.750 pan phil, G2	
2	60061	8	Nut, 10-32 nylock	
3	61045	4	Nut, 10-32 sflg	
4	26162	2	Spring, .250x1.93 - rear hood	
5	60393	3	Screw, .250-20x1.0 std hex, G5	
6	60286	3	Washer, .250 split lock	
7	60243	5	Washer, .250 flat .735/.060	
8	24441	1	Pulley, cable - .750 in	
9	60507	18	Screw, .312-18x1.0 std hex, SS	
10	60452	18	Washer, .313 flat 1.125/1.0, SS	Bonded rubber
11	30249	2	Shoe, hood guide	
12	60426	4	Screw, 8-18x.750 flg hex, G2	
13	24450B	2	Weldment, hood locator	
14	60119	14	Washer, .312 flat .875/.070	
15	60271	14	Washer, .312 split lock	
16	60285	14	Nut, .312-18 hex, G2	
17	24677	1	Cable, remote latch - 56 in	
18	24678	2	Crimp, cable - for remote latch	
19	60505	4	Nut, .312-18 U-clip - long type	
20	24218B	1	Bracket, side sealing - left	
21	31158B	1	Bracket, side sealing - right	
22	60231	7	Rivet, .188 dia. x .375 to .500 grip	
23	26978B	1	Bracket, top sealing - rear	
24	60269	7	Washer, #8 flat .433/.036	
25	26287	1	Latch, remote right - w/spring return	
26	24822B	1	Bracket, prop rod	
27	60144	1	Nut, .250-20 nylock, G5	
28	24850ZC	1	Plate, secondary latch	
29	61138	1	Screw, shoulder, .312x.250 soc hex	
--	50197	16.35 ft	Weatherstripping - .06x1.00	Not shown
--	50358	12 ft	Seal, rubber - bubble type (1.00)	Not shown
--	50354	6.83 ft	Seal, rubber - bubble type (.750)	Not shown
--	31073	1	Assembly, rear hood	Pages 12-15

SIDE OUTLET PANEL ASSEMBLY



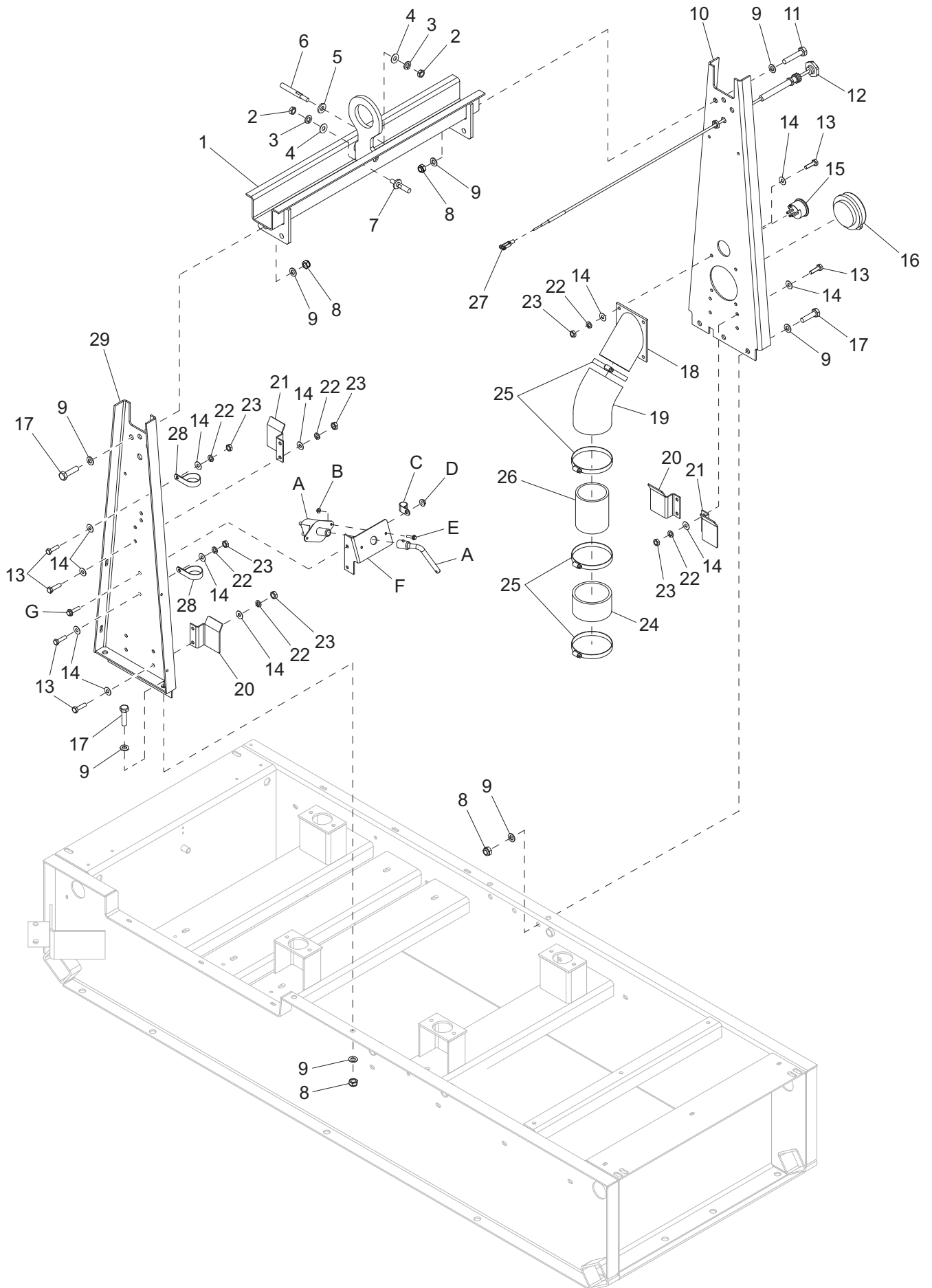
ITEM	PART NO.	QTY	DESCRIPTION	NOTES
1	31156W	1	Panel, side outlet	
2	60507	2	Screw, .312-18x1.0 std hex, SS	
3	32658B	1	Angle, side outlet support	
4	60119	6	Washer, .312 flat .875/.070	
5	60303	2	Nut, .312-18 nylock, G2	
6	32683	1	Rubber seal - pump outlet	
7	60089	8	Washer, .265 fender 1.250/.060	
8	60144	12	Nut, .250-20 nylock, G5	
9	32666	1	Foam - side outlet panel	
10	60696	12	Washer, .250 flat .625/.050, SS	
11	60684	12	Screw, .250-20x.875 std hex, SS	

CONTROL BOX ASSEMBLY



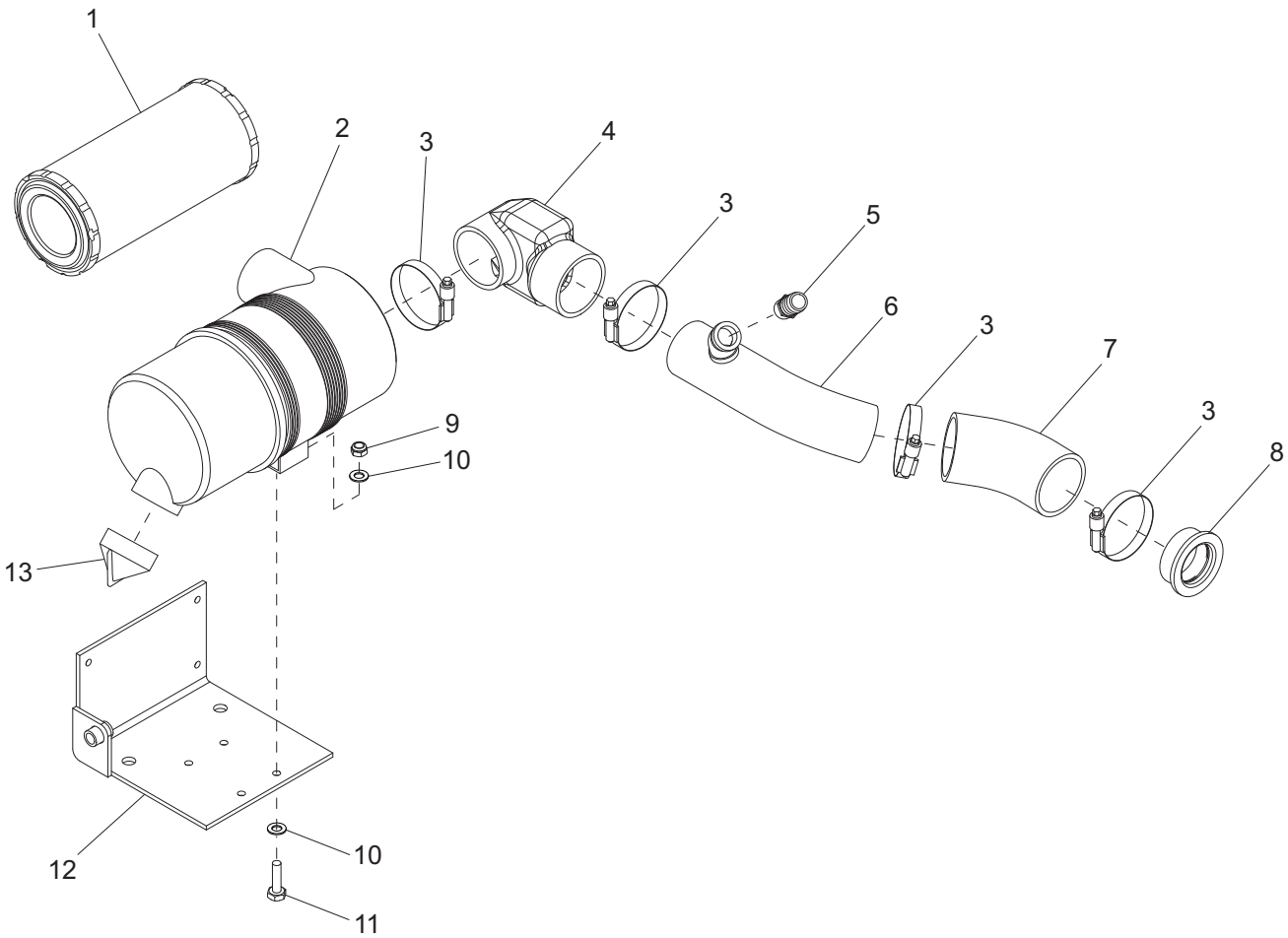
ITEM	PART NO.	QTY	DESCRIPTION	NOTES
1	32993	1	Controller, programmed - LOFA 750	
2	61143	6	Nut, .250-20 U-clip	
3	49639B	1	Box, controls mounting	
4	65470	1	Switch, E-stop operator	
5	65584	1	Block, E-stop contactor – NO/NO	
6	60061	2	Nut, 10-32 nylock	
7	66455	1	Relay, 12V 70A NC/80A NO w/diode	
8	60175	2	Screw, .250-20x.500 sflg hex, G5	
9	49888B	1	Panel, controls mounting box	
10	60281	2	Screw, .250-20x.750 std hex, G5	
11	60144	2	Nut, .250-20 nylock, G5	
12	15403	2	Connector, quick disconnect - female	
13	15404	2	Receptacle cap with chain	
14	60398	2	Screw, 10-32x.500 pan phil, SS	
15	50230	4 ft	Weatherstripping - .188x.500	
16	60696	6	Washer, .250 flat .625/.050, SS	
17	60684	6	Screw, .250-20x.875 std hex, SS	
--	32994	1	Assembly, control box	Items 1 - 15

LIFT STRUCTURE ASSEMBLY



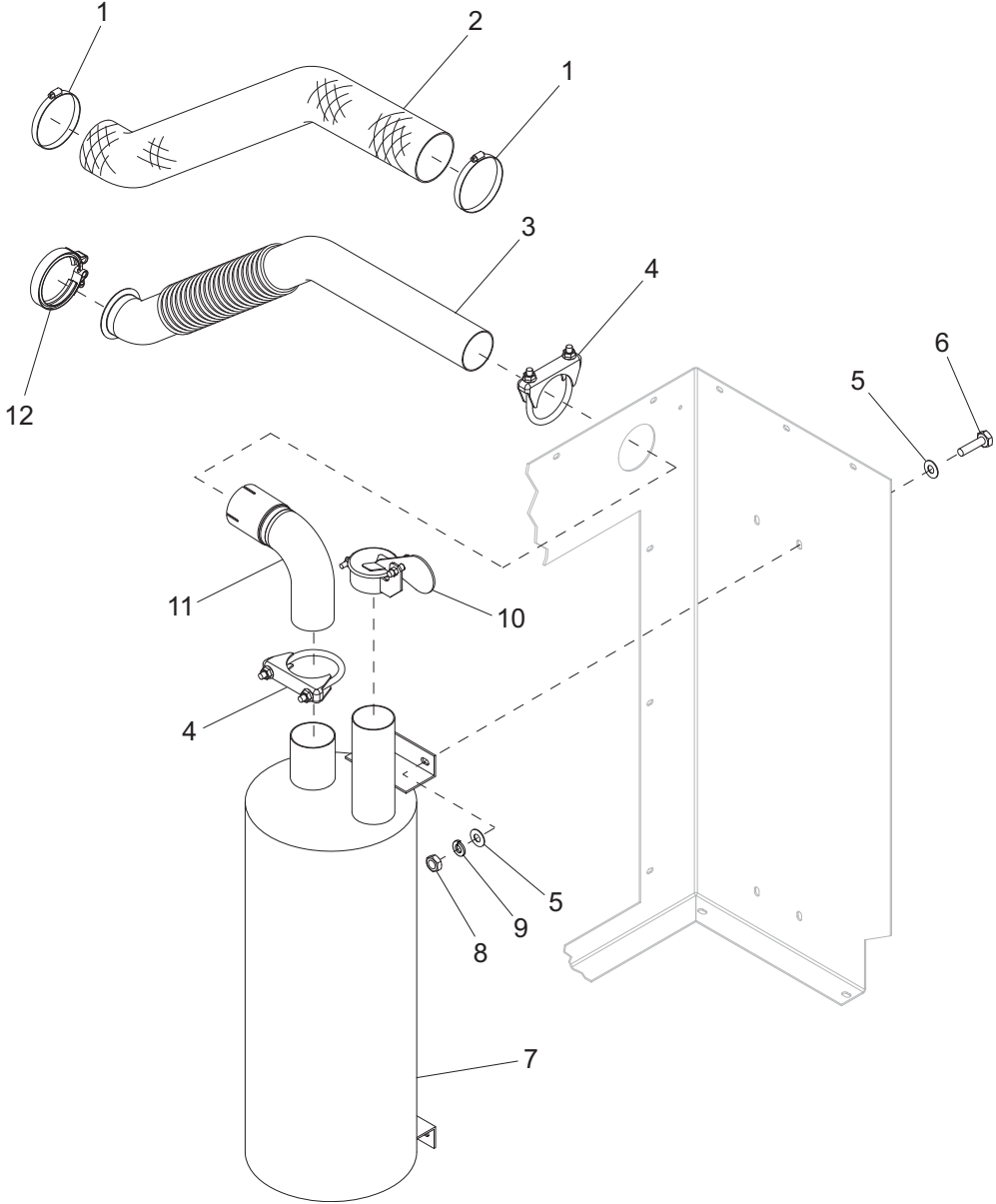
ITEM	PART NO.	QTY	DESCRIPTION	NOTES
1	49897B	1	Weldment, top lift channel	
2	24046	2	Nut, striker .438-14, G8	
3	60276	2	Washer, .500 split lock	
4	60386	2	Washer, .375 flat .993/.064	
5	24196	1	Washer, striker pin - int. thrd.	
6	26979ZY	1	Pin, striker - 3.25 in	
7	23643	1	Pin, striker - 1.875 in	
8	62221	16	Nut, .500-13 nylock, G5	
9	60309	32	Washer, .500 flat 1.06/.090	
10	32164B	1	Weldment, lift post - left	
11	60484	1	Screw, .500-13x2.0 std hex, G5	
12	41165	1	Cable, push/pull throttle	
13	61036	16	Screw, .375-16x1.25 std hex, SS	
14	60698	30	Washer, .375 flat .875/.040, SS	
15	65631	1	Gauge, fuel - elec. w/light	
16	23707	1	Cap, fuel fill - 3.50 in	
17	60388	15	Screw, .500-13x1.50 std hex, G5	
18	24296B	1	Weldment, fuel fill	
19	22286	1	Elbow, 45° - 4.0 ID molded rubber	
20	28524B	2	Bracket, hood guide - lft/front, rht/rear	
21	28523B	2	Bracket, hood guide - rht/front, lft/rear	
22	60206	18	Washer, .375 split lock	
23	60140	14	Nut, .375-16 hex, G5	
24	19612	1	Hose, air/fuel - 4.00 in	
25	19842	4	Clamp, hose - SAE 072 (4.06-5.00)	
26	41564B	1	Tube, fuel extension	
27	60962	1	Yoke, 10-32 female w/o .188 pin	
28	60716	2	Clamp, tubing - 1.50 lt duty	
29	49718B	1	Weldment, lift post - right	
A	21489	1	Battery disconnect switch - 500A cont.	Option: battery disconnect
B	60161	2	Nut, .250-20 sflg, G5	Option: battery disconnect
C	60716	1	Clamp, tubing - 1.50 lt duty	Option: battery disconnect
D	60095	2	Nut, .312-18 sflg	Option: battery disconnect
E	60107	2	Screw, .250-20x.750 sflg hex, G5	Option: battery disconnect
F	26095B	1	Bracket, battery disconnect	Option: battery disconnect
G	61091	2	Screw, .312-18x1.0 sflg hex, G5	Option: battery disconnect

AIR FILTER ASSEMBLY



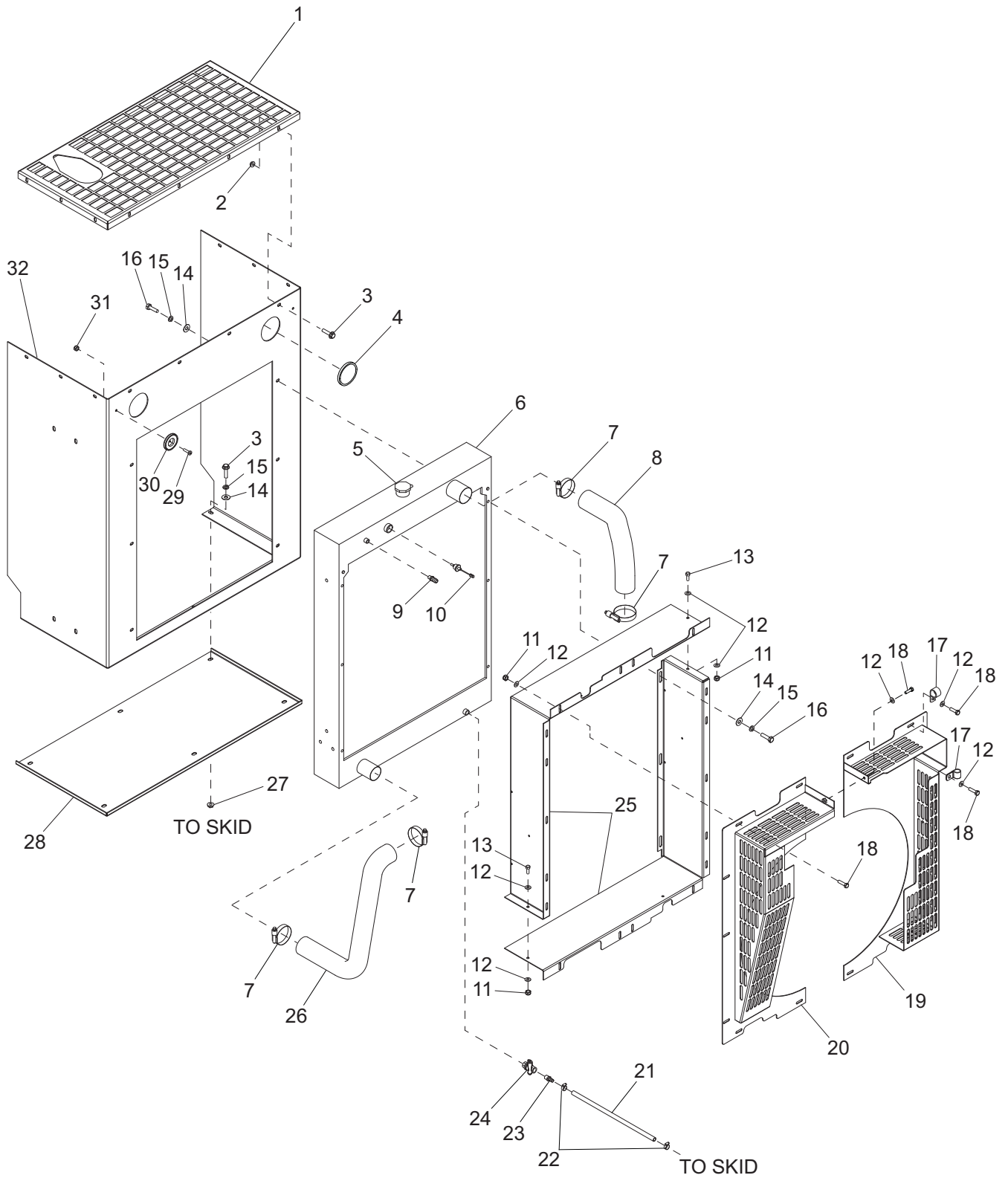
ITEM	PART NO.	QTY	DESCRIPTION	NOTES
1	22874	1	Element, air filter	
2	22967	1	Filter, air	
3	18663	4	Clamp, hose - SAE 060 (3.31-4.25)	
4	24478	1	Elbow, 90° - 3.0 ID molded rubber	Cobra-head
5	25496	1	Fitting, strt - .750MNPTx1.0 barb, brs	
6	32711B	1	Weldment, air intake tube	
7	41050	1	Elbow, 45° - 3.0 ID molded rubber	
8	22872	1	Insert, air hose reducer - 2.25-3.0	
9	60303	2	Nut, .312-18 nylock, G2	
10	60119	4	Washer, .312 flat .875/.070	
11	60028	2	Screw, .312-18x1.0 std hex, G5	
12	32786B	1	Weldment, eductor/air filter/reservoir brkt	
13	19277	1	Cap, dust ejector	

EXHAUST SYSTEM ASSEMBLY



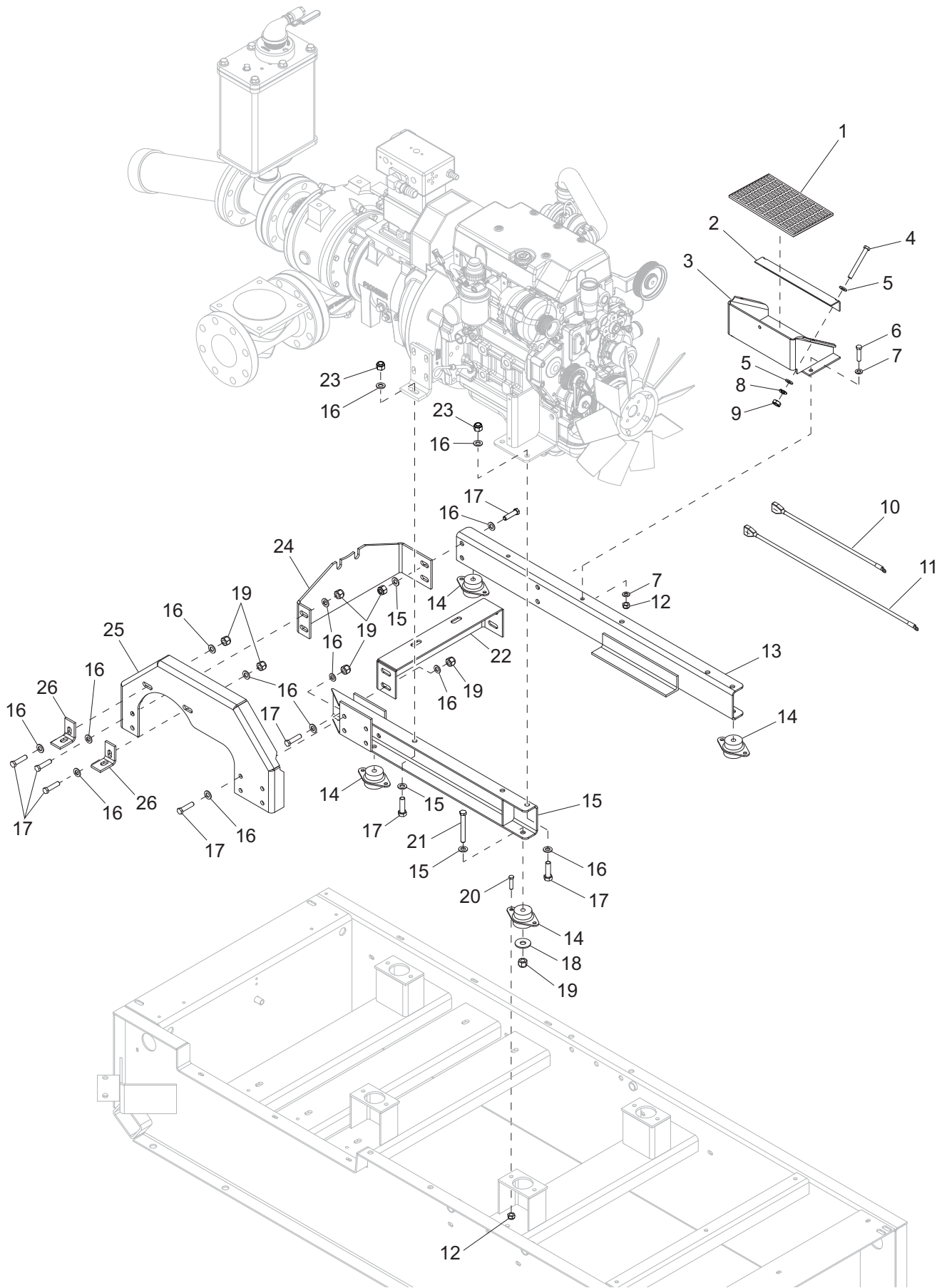
ITEM	PART NO.	QTY	DESCRIPTION	NOTES
1	19336	2	Clamp, hose - SAE 044 (2.31-3.25)	
2	30811	4.20 ft	Sleeve, high temp - 4.00 in	
3	27940	1	Pipe, exhaust	
4	15550	2	Clamp, muffler - 2.50 in. hvy duty	
5	60386	8	Washer, .375 flat .993/.064	
6	60205	4	Screw, .375-16x1.0 std hex, G5	
7	24332	1	Muffler, exhaust	
8	60358	4	Nut, .375-16 nylock, G5	
9	60206	4	Washer, .375 split lock	
10	25647	1	Cap, rain - 2.50 in	
11	29692	1	Pipe, exhaust	
12	22712	1	Clamp, V-band - 2.75	

COOLING SYSTEM ASSEMBLY



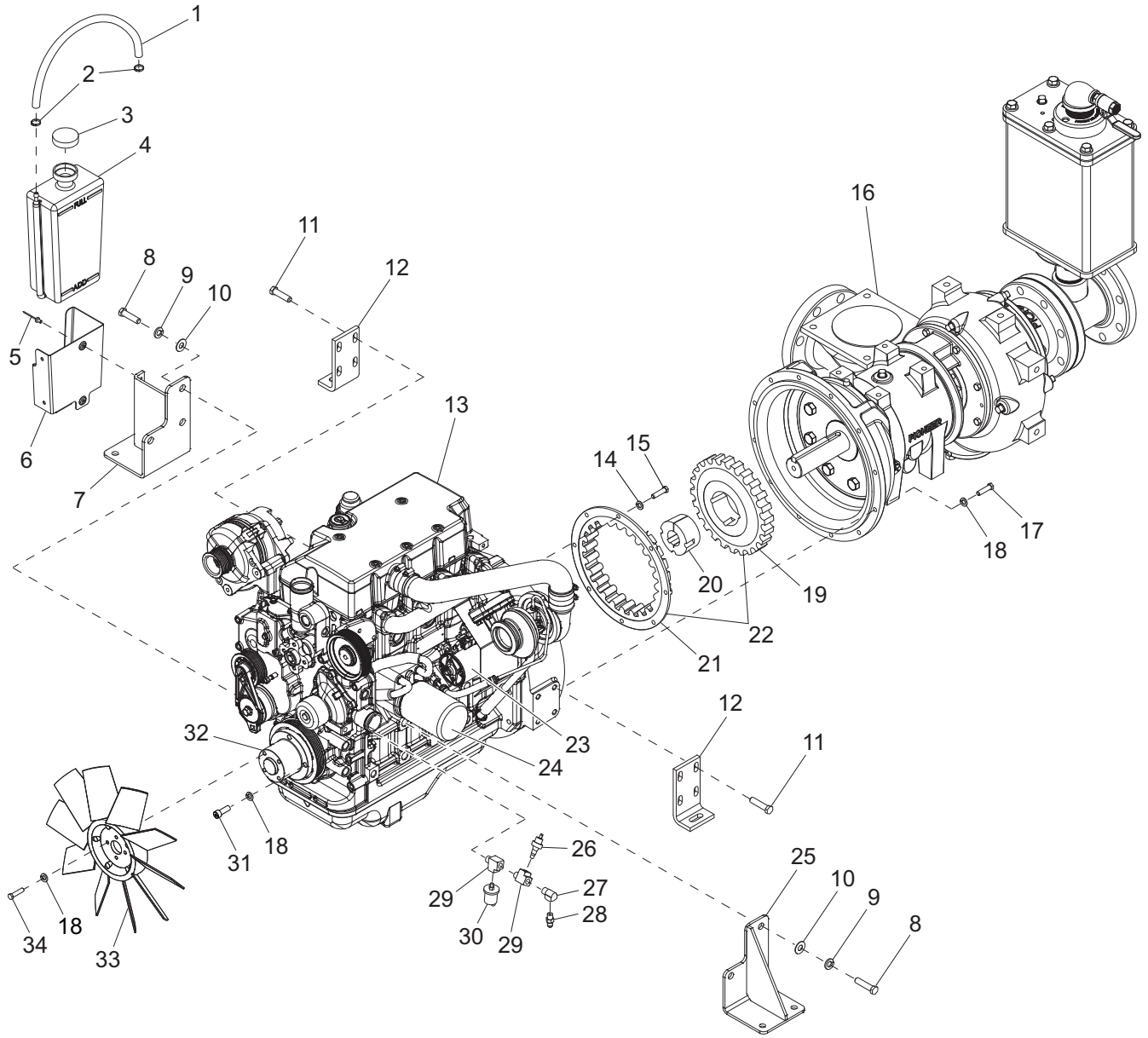
ITEM	PART NO.	QTY	DESCRIPTION	NOTES
1	24309B	1	Panel, roof outlet	
2	60161	10	Nut, .250-20 sflg, G5	
3	60175	10	Screw, .250-20x.500 sflg hex, G5	
4	27434	1	Plug, hole 3.00 in. - blk nyl press-in	
5	19219	1	Cap, radiator pressure - small, 14.7 psi	
6	24816	1	Radiator	
7	60316	4	Clamp, hose - SAE 032 (1.56-2.50)	
8	24797	1	Hose, radiator - upper	
9	25917	1	Fitting, strt - .250NPTx.625 barb	
10	30942	1	Assembly, low coolant switch/harness	
11	60144	16	Nut, .250-20 nylock, G5	
12	60243	33	Washer, .250 flat .735/.060	
13	60393	2	Screw, .250-20x1.0 std hex, G5	
14	60119	18	Washer, .312 flat, .875/.070	
15	60271	18	Washer, .312 split lock	
16	60168	12	Screw, .312-18x.750 std hex, G5	
17	16143	2	Clamp, tubing - .500	
18	60281	15	Screw, .250-20x.750 std hex, G5	
19	24842B	1	Weldment, fan guard - right	
20	24841B	1	Weldment, fan guard - left	
21	50018	.5 ft	Hose, .312 ID, 50 psi, SAE 30R7	
22	14216	2	Clamp, hose - SAE 004 (.21-.62) mini	
23	19180	1	Fitting, strt - .375NPTx.312 barb	
24	62032	1	Valve, ball .375NPTF mini	
25	32638B	2	Radiator shroud	
26	24798	1	Hose, radiator - lower	
27	60095	6	Nut, .312-18 sflg	
28	24849B	1	Panel, bulkhead - lower	
29	60398	2	Screw, 10-32x.500 pan phil, SS	
30	24950	2	Magnet, disc - 2.03 in	
31	60457	2	Nut, 10-24 nylock, G2	
32	24848B	1	Panel, bulkhead	

ENGINE AND PUMP TO SKID ASSEMBLY



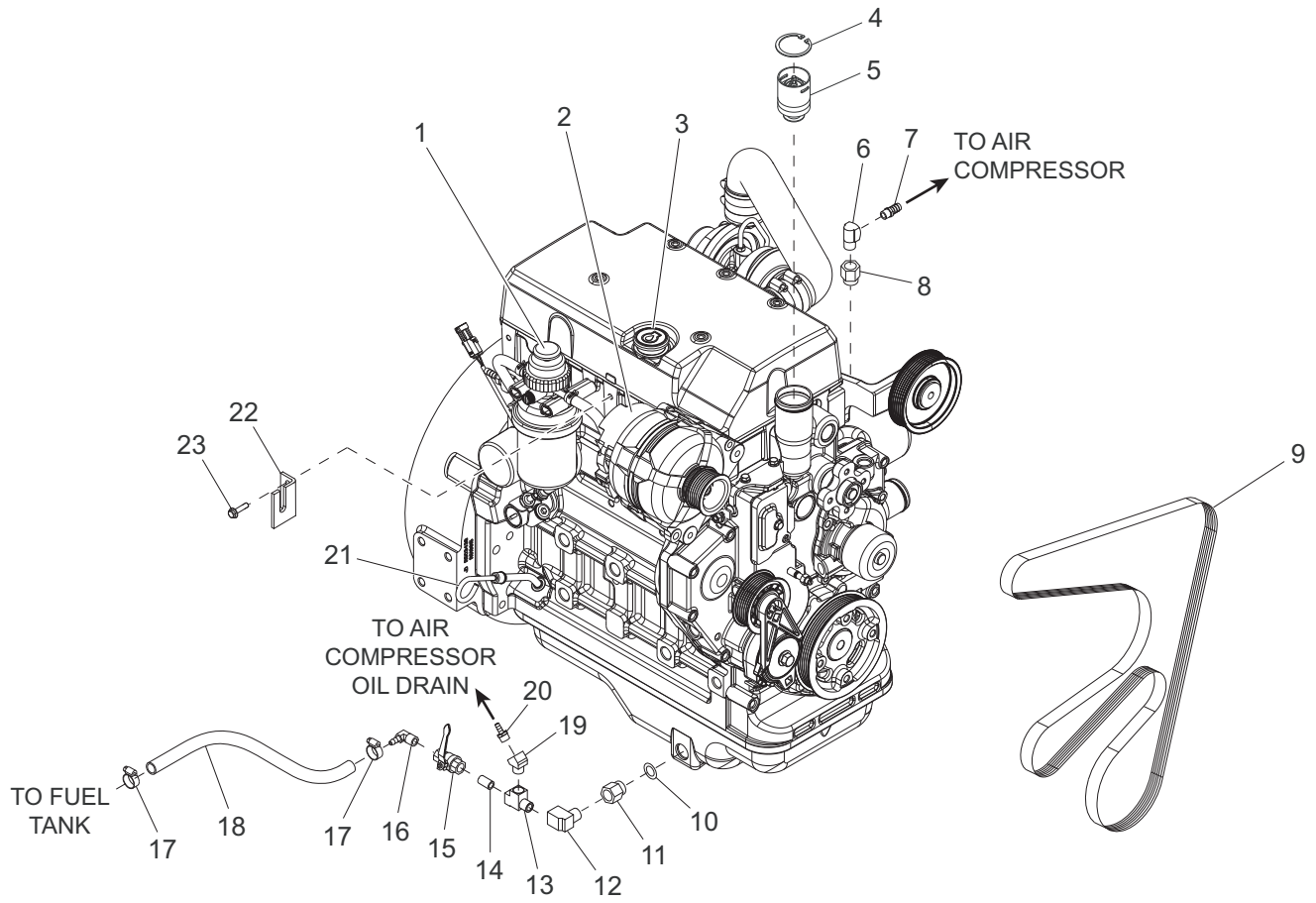
ITEM	PART NO.	QTY	DESCRIPTION	NOTES
1	41185	1	Battery pad - 6.00x10.00 in	
2	41055B	1	Bracket, battery tie-down	
3	31016B	1	Weldment, battery bracket	
4	60845	2	Screw, .312-18x7.0 std hex, G5	
5	60119	4	Washer, .312 flat .875/.070	
6	60352	2	Screw, .375-16x1.250 std hex, G5	
7	60386	4	Washer, .375 flat .993/.064	
8	60271	2	Washer, .312 split lock	
9	60303	2	Nut, .312-18 nylock, G2	
10	49901	1	Cable, battery - 24 in. 2GA, black	1/2 in. lug
11	49900	1	Cable, battery - 54 in. 2GA, red w/lead	3/8 in. lug
12	60358	10	Nut, .375-16 nylock, G5	
13	32084B	1	Weldment, engine support channel - LH	
14	22788	4	Isolator, rubber - 350 lbs	
15	32083B	1	Weldment, engine support channel - RH	
16	60309	44	Washer, .500 flat 1.060/.090	
17	60388	16	Screw, .500-13x1.50 std hex, G5	
18	18085	4	Washer, .510 snub 2.0/.130	
19	60668	18	Nut, .500-13 nylock, G8	
20	60205	8	Screw, .375-16x1.0 std hex, G5	
21	61094	4	Screw, .500-13x3.50 std hex, G8	
22	31789B	1	Bracket, pump support	
23	62221	6	Nut, .500-13 nylock, G5	
24	32264B	1	Bracket, pump inlet support	
25	32263B	1	Bracket, pump volute support	
26	32600B	2	Bracket, volute support mount	

ENGINE ASSEMBLY - LEFT SIDE



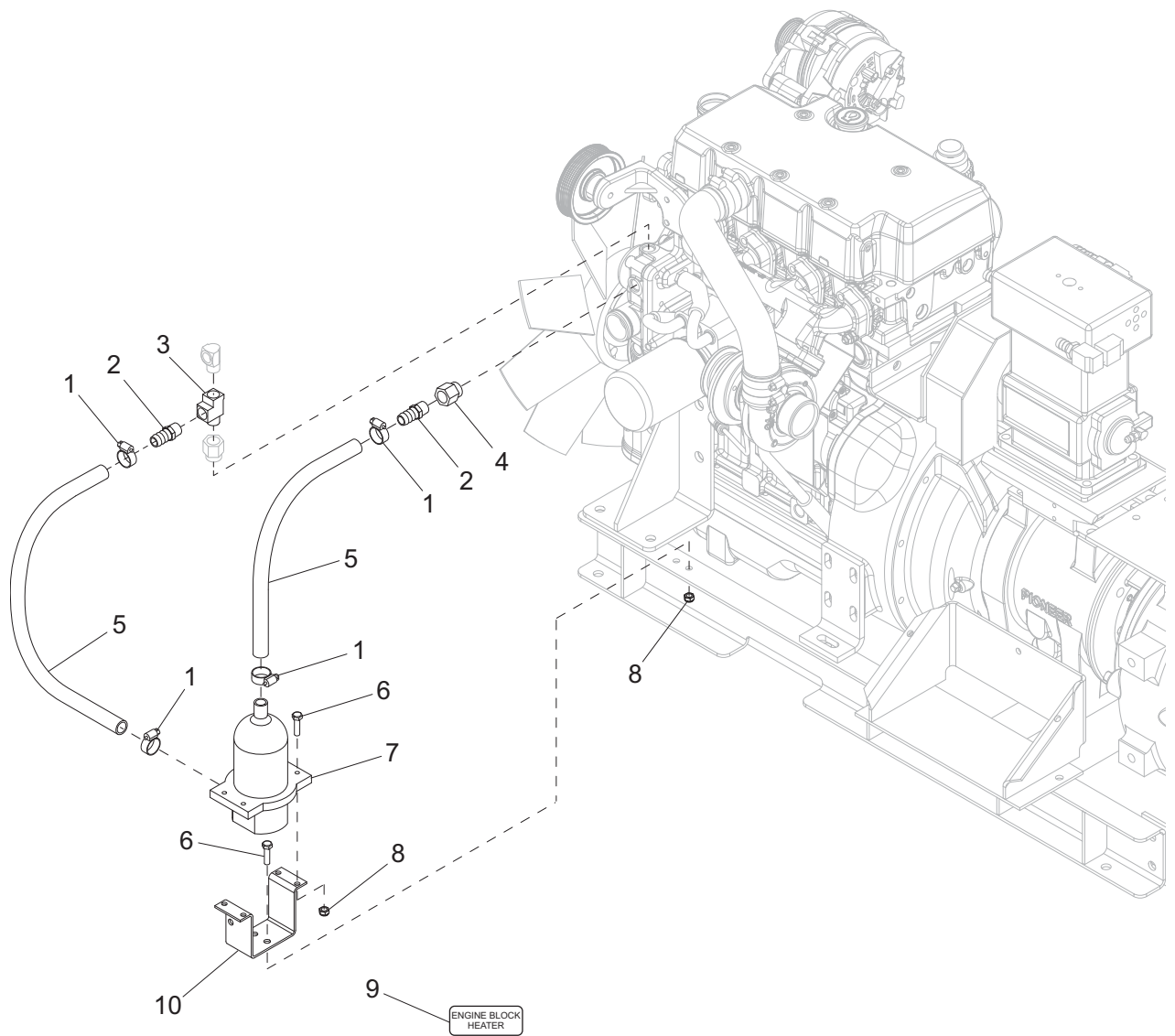
ITEM	PART NO.	QTY	DESCRIPTION	NOTES
1	50018	2.33 ft	Hose, fuel - .312 ID, 50 psi, SAE 30R7	
2	60777	2	Clamp, hose - .312 fuel hose	Crimp style
3	19714	1	Cap, overflow jug	
4	24952	1	Jug, overflow - 2.5 qt	
5	60195	2	Rivet, .188 dia. x .375 to .500 grip	
6	26211B	1	Bracket, overflow jug	
--	26212	1	Assembly, overflow jug - 2.5 qt	Items 3 - 6
7	49816B	1	Weldment, engine mount - RH	
8	60489	6	Screw, M16-2.00x40 std hex, G10.9	
9	60194	6	Washer, M16 split lock	
10	60193	6	Washer, M16 flat	
11	60065	8	Screw, M12-1.75x40 sflg hex, G10.8	
12	49819B	2	Bracket, engine support	
13	41996	1	Engine, John Deere 4024TF281	
14	60206	8	Washer, .375 split lock	
15	60205	8	Screw, .375-16x1.00 std hex, G5	
16	Page 36	1	Pump, trash - VP44S8L71-EG410	
17	60215	12	Screw, M10-1.50x35 std hex, G8.8	
18	60026	16	Washer, M10 split lock	
19	41192	1	Coupling, rubber driver	
20	49685	1	Bushing, 2517 (hub)	
21	41191	1	Coupling, flywheel ring	
22	41193	1	Coupling, flywheel ring & rubber driver	
23	23105	1	Starter, engine	
24	23144	1	Filter, oil	
25	49817B	1	Weldment, engine mount - LH	
26	65656	1	Switch, oil pressure - 1/8NPT, NO	
27	60734	1	Fitting, 90° - .125MNPTx.125FNPT, brs	
28	61073	1	Fitting, strt - .125MNPTx.250MJIC, brs	
29	60735	2	Fitting, strt - T .125NPT, brass	
30	18106	1	Sensor, oil pressure	
31	60859	4	Screw, M10-1.50x45 soc hex, G12.9	
32	41048	1	Spacer, fan	
33	41121	1	Fan, pusher - 18.00 in. CW	
34	60160	4	Screw, M8-1.25x30 sflg hex, G8.8	

ENGINE ASSEMBLY - RIGHT SIDE



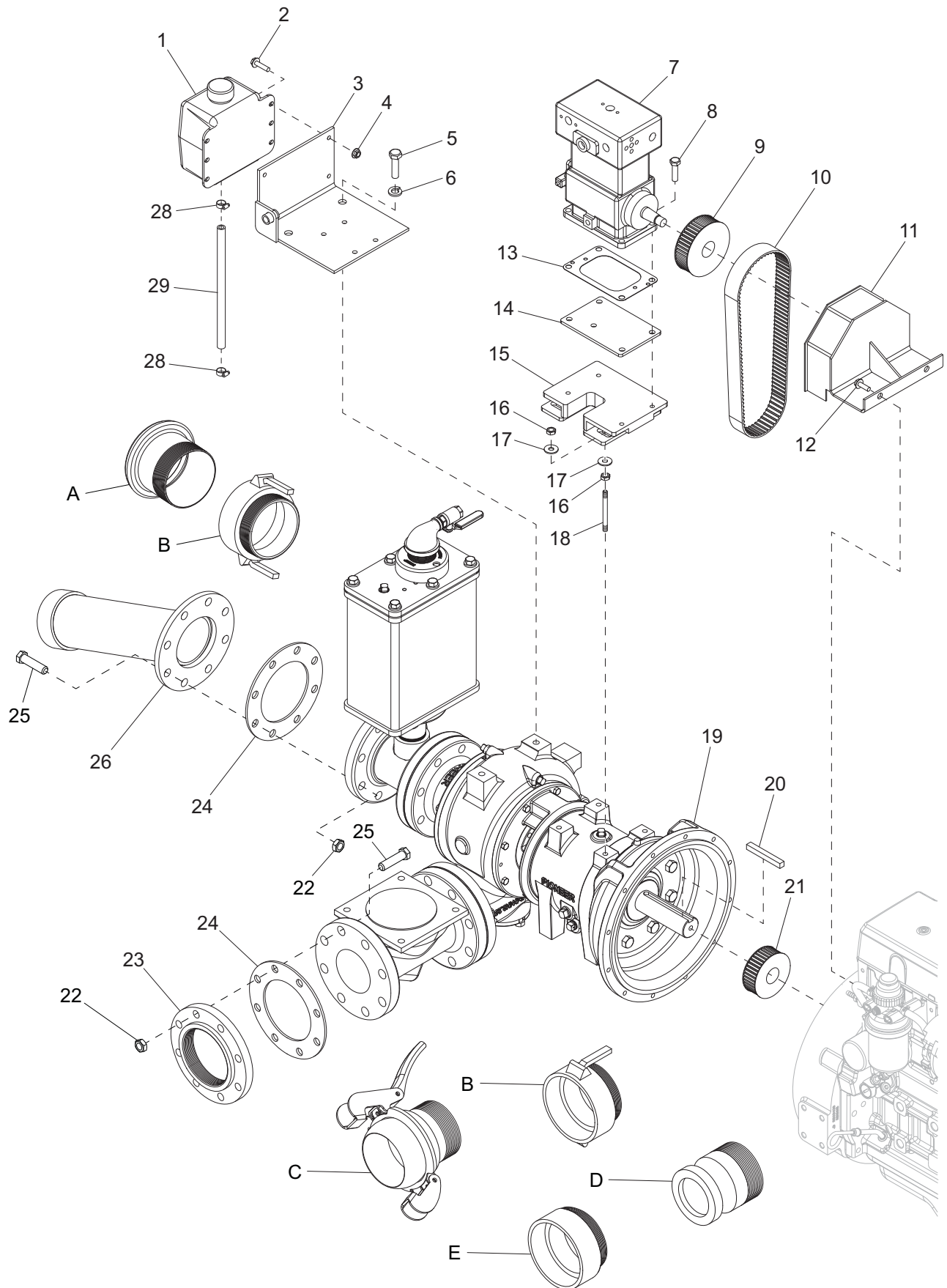
ITEM	PART NO.	QTY	DESCRIPTION	NOTES
1	23145	1	Filter, fuel	
2	26270	1	Alternator, engine	
3	22375	1	Cap, engine oil fill	
4	34062	1	Snap ring, thermostat	
5	34061	1	Thermostat kit	
6	15396	1	Fitting, 90° - .375MNPTx.375FNPT, brs	
7	25931	1	Fitting, strt - .375NPTx.625 barb	
8	61033	1	Fitting, strt - .375FNPTxM18x1.50 O-ring	
9	24845	1	Belt, fan	
10	19467	1	Seal, M22	
11	19307	1	Fitting, strt - .500FNPTxM22x1.500, brs	
12	60998	1	Fitting, 90° - .500MNPTx.500FNPT, brs	
13	61030	1	Fitting, T - .500NPT, brass	
14	60438	1	Fitting, nipple, pipe - .500NPT x close	
15	60985	1	Valve, ball - .500NPTF pad-locking	
16	61014	1	Fitting, 90° - .500MNPTx.625 barb, brs	
17	14216	2	Clamp, hose - SAE 004 (.21-.62), mini	
18	50201	.83 ft	Hose, .625, 200 psi, class A	
19	61040	1	Fitting, 45° - .500MNPTx.500FNPT, brs	
20	23816	1	Fitting, strt - .500MNPTx.375 barb, brs	
21	26269	1	Dipstick, oil	
22	41119B	1	Bracket, throttle - engine	
23	60114	2	Screw, M8-1.25x20 sflg hex	

HOTSTART KIT OPTION



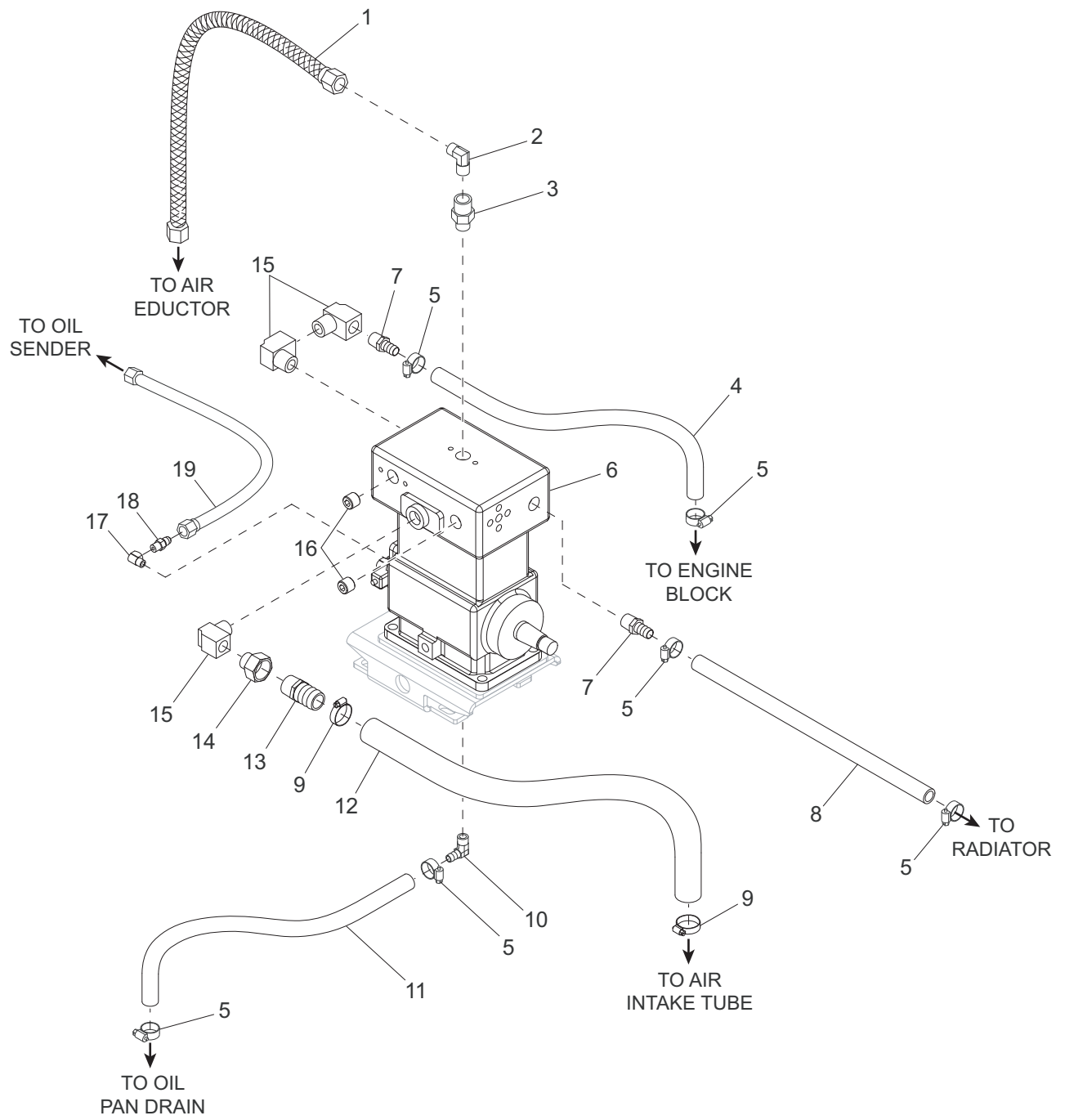
ITEM	PART NO.	QTY	DESCRIPTION	NOTES
1	60365	4	Clamp, hose - SAE 010 (.56-1.06)	
2	25931	2	Fitting, strt - .375NPTx.625 barb	
3	22602	1	Fitting, T - .375MNPTxFNPTxFNPT, brs	
4	61033	1	Fitting, strt - .375FNPTxM18x1.50	
5	50201	1.83 ft	Hose, .625, 200 psi, class A	
6	60028	6	Screw, .312-18x1.0 std hex, G5	
7	25914	1	Heater, engine coolant - 120V/500W	
8	60303	6	Nut, .312-18 nylock, G2	
9	28964	1	Decal, engine heater	
10	49553B	1	Bracket, engine heater	

EXTERNAL PUMP ASSEMBLY



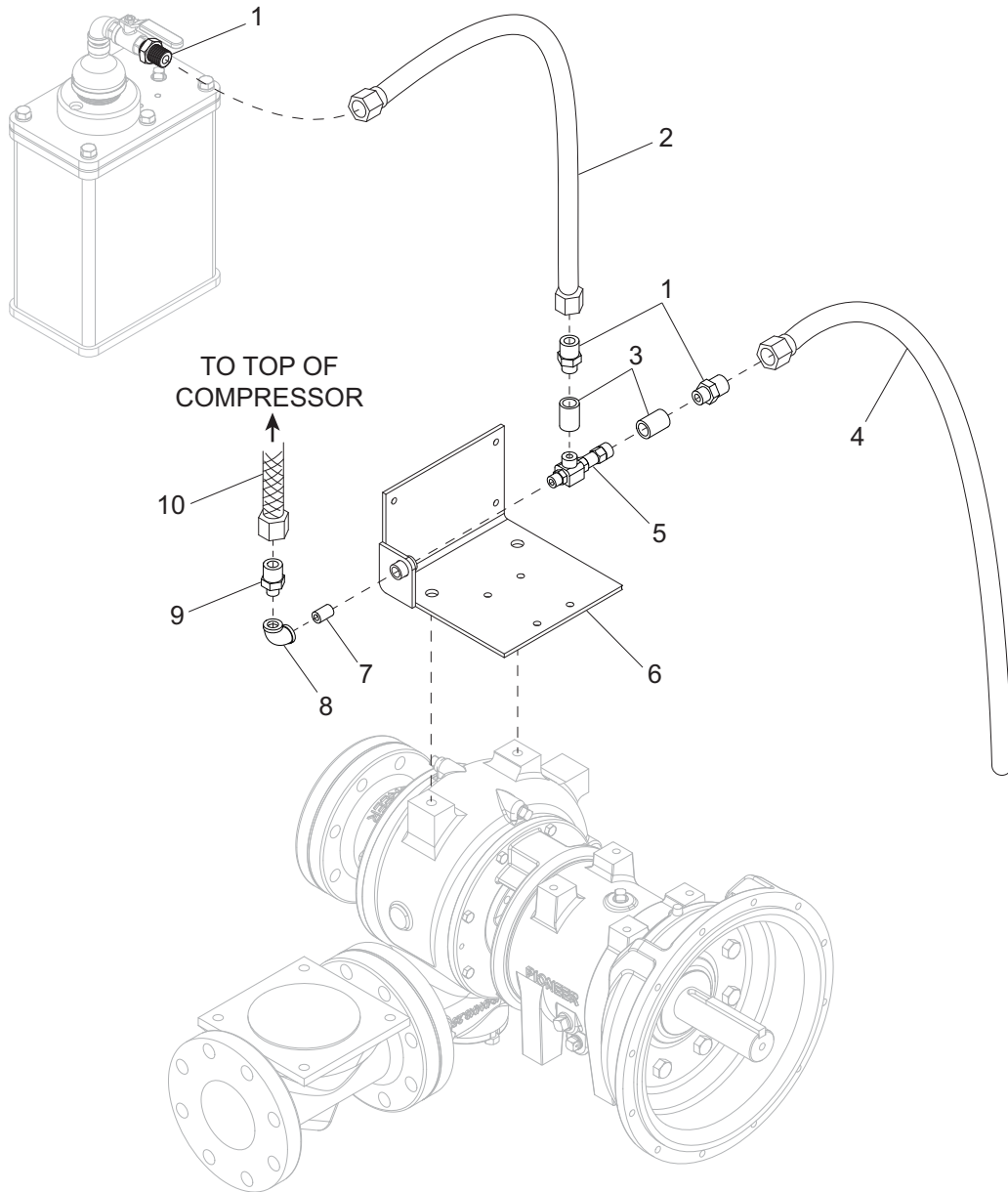
ITEM	PART NO.	QTY	DESCRIPTION	NOTES
1	49585	1	Reservoir, seal oil (poly 3 qt)	
2	61091	2	Screw, .312-18x1.0 sflg hex, G5	
3	Page 40	1	Weldment, eductor/air filter/reservoir brkt	
4	60095	2	Nut, .312-18 sflg	
5	63113	2	Screw, .625-11x1.0 std hex, G5	
6	61023	2	Washer, .625 split lock	
7	Page 38	1	Assembly, pump air compressor	
8	60478	4	Screw, .375-16x2.0 std hex, G5	
9	30498	1	Pulley, driver - 48 tooth, air compressor	
10	33235	1	Belt, timing	
11	32230B	1	Weldment, belt guard	
12	60072	2	Screw, M12-1.75x25 sflg hex, G10.9	
13	49421	1	Gasket, compressor base	
14	32703B	1	Bracket, compressor base	
15	33192B	1	Bracket, pump compressor	
16	60333	8	Nut, .500-13 jam, G5	
17	61096	8	Washer, .500 flat 1.375/.110	
18	63282	4	Stud, .500-13X2.50, G5	
19	49279B	1	Pump, trash - 4.00 dry prime	VP44S8L71-EG410
20	32106	1	Key, square .500x2.0 steel	
21	30497	1	Pulley, driven - 40 tooth, air compressor	
22	15293	16	Nut, .750-10 hex, G5	
23	41305B	1	Flange, 4.00NPT female - ANSI 150 lb	
24	41155	2	Gasket, pump flange - 4.00	
25	61076	16	Screw, .750-10x3.0 std hex, G5	
26	32662B	1	Weldment, pump inlet - 4.00	
27	19453	2	Clamp, hose - SAE 006 (.37-.87)	
28	50017	2.33 ft	Hose, fuel - .250 ID, 50 psi, SAE 30R7	
A	41326	1	Socket - male galv.	Option
B	41328	2	Cam & groove - female coupler	Option
C	41324	1	Ball & lock ring - galv.	Option
D	41586	2	Cam & groove - male coupler	Option
E	41584B	1	Weldment, pump fitting	Option

PUMP AIR COMPRESSOR ASSEMBLY



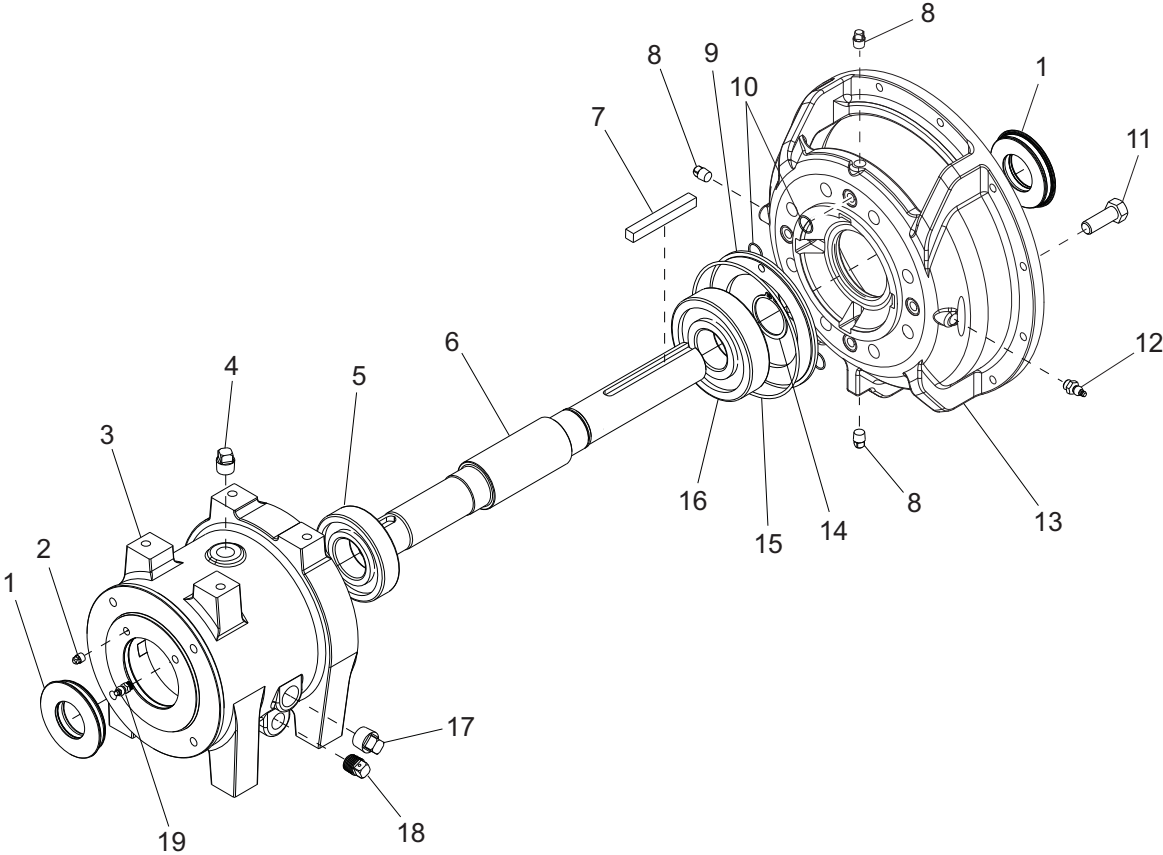
ITEM	PART NO.	QTY	DESCRIPTION	NOTES
1	32700	1	Hose assembly - .75 braided x 24.00 in	Supplied with pump
2	49792	1	Fitting, 90° - SAE12 MJICx12 FJIC	
3	63181	1	Fitting, strt - .500MNPTx.75	
4	50201	3.25 ft	Hose, .625, 200 psi, class A	
5	60365	6	Clamp, hose - SAE 010 (.56-1.06)	
6	49267	1	Compressor, air - Bendix TF-550108112	
7	60502	2	Fitting, strt - .500MNPTx.625 barb, brs	
8	50201	3.16 ft	Hose, .625, 200 psi, class A	
9	19338	2	Clamp, hose - SAE 016 (.68-1.50)	
10	20645	1	Fitting, 90° - .250NPTx.375 barb, brs	
11	50051	2.50 ft	Hose, fuel - .375 ID, 50 psi, SAE 30R7	
12	50019	1.33 ft	Hose, fuel - 1.00 SAE 20R3	
13	25496	1	Fitting, strt - .750MNPTx1.0 barb, brs	
14	22461	1	Fitting, strt - .500MNPTx.750FNPT, brs	
15	60998	3	Fitting, 90° - .500MNPTx.500FNPT, brs	
16	63115	2	Fitting, plug - .125NPT x flush mount	
17	60734	1	Fitting, 90° - .125MNPTx.125FNPT, brs	
18	61073	1	Fitting, strt - .125MNPTx.250MJIC, brs	
19	41420	1	Hose, oil supply - .25 IDx50.0, 300 psi	

AIR EDUCTOR KIT



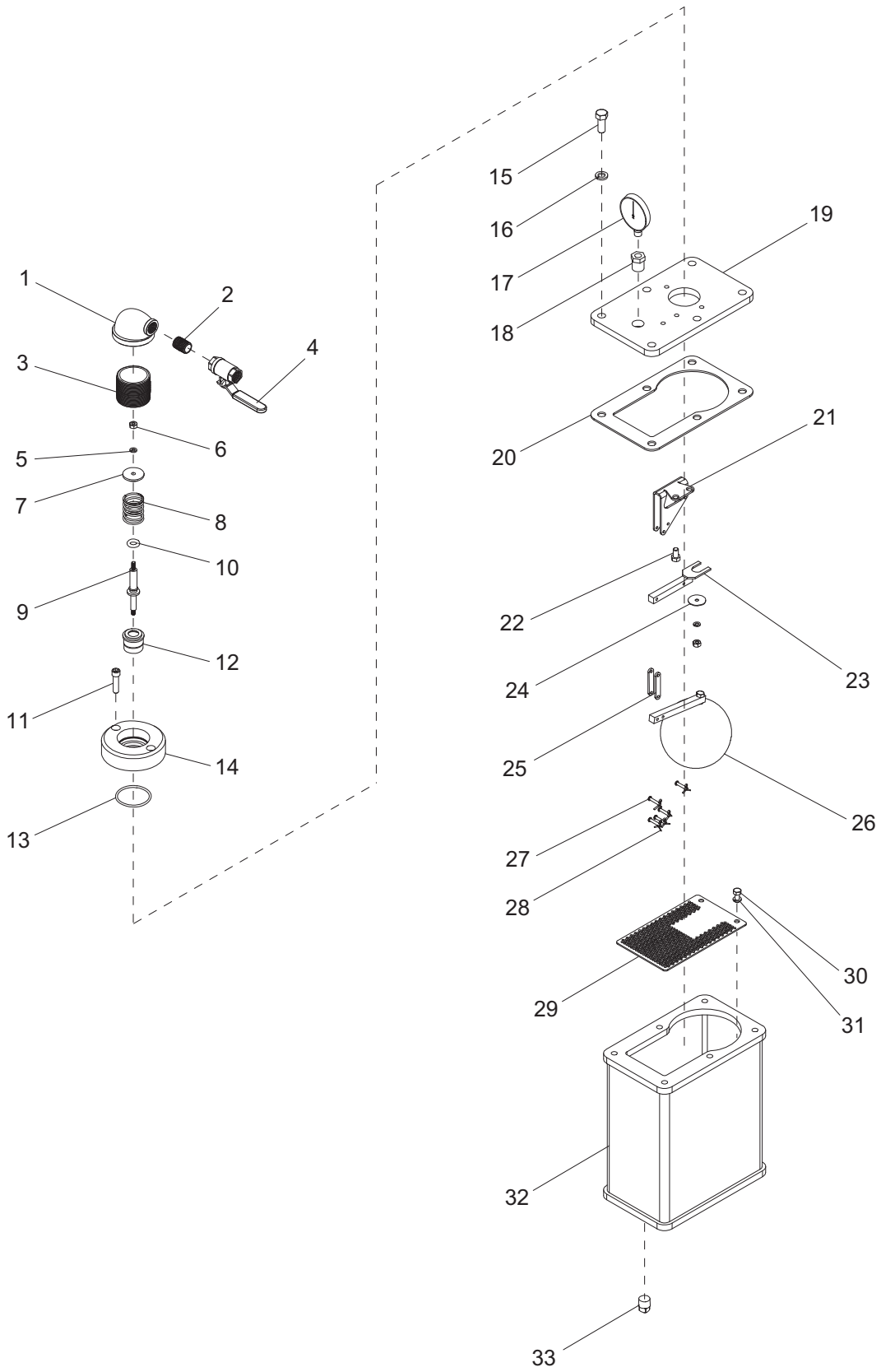
ITEM	PART NO.	QTY	DESCRIPTION	NOTES
1	49724	3	Fitting, 1/2NPT - 3/4 JIC	
2	49725	1	Hose assembly, 3/4 in. pipe x 19 in	
3	49726	2	Coupling 1/2NPTx1/2NPT	
4	49727	1	Hose assembly 3/4 in. pipe x 58 in	
5	49572	1	Air eductor	
6	49571	1	Bracket, jet pump - 3/8NPT	
7	49728	1	Nipple, 3/8NPT	
8	49729	1	Elbow, 90° - 3/8NPT	
9	49730	1	Fitting, 3/8NPT - 3/8 JIC	
10	49731	1	Hose assy, .375 braided x 58.0 long	
--	49732	1	Air eductor kit	Items 1 - 10

BEARING FRAME ASSEMBLY



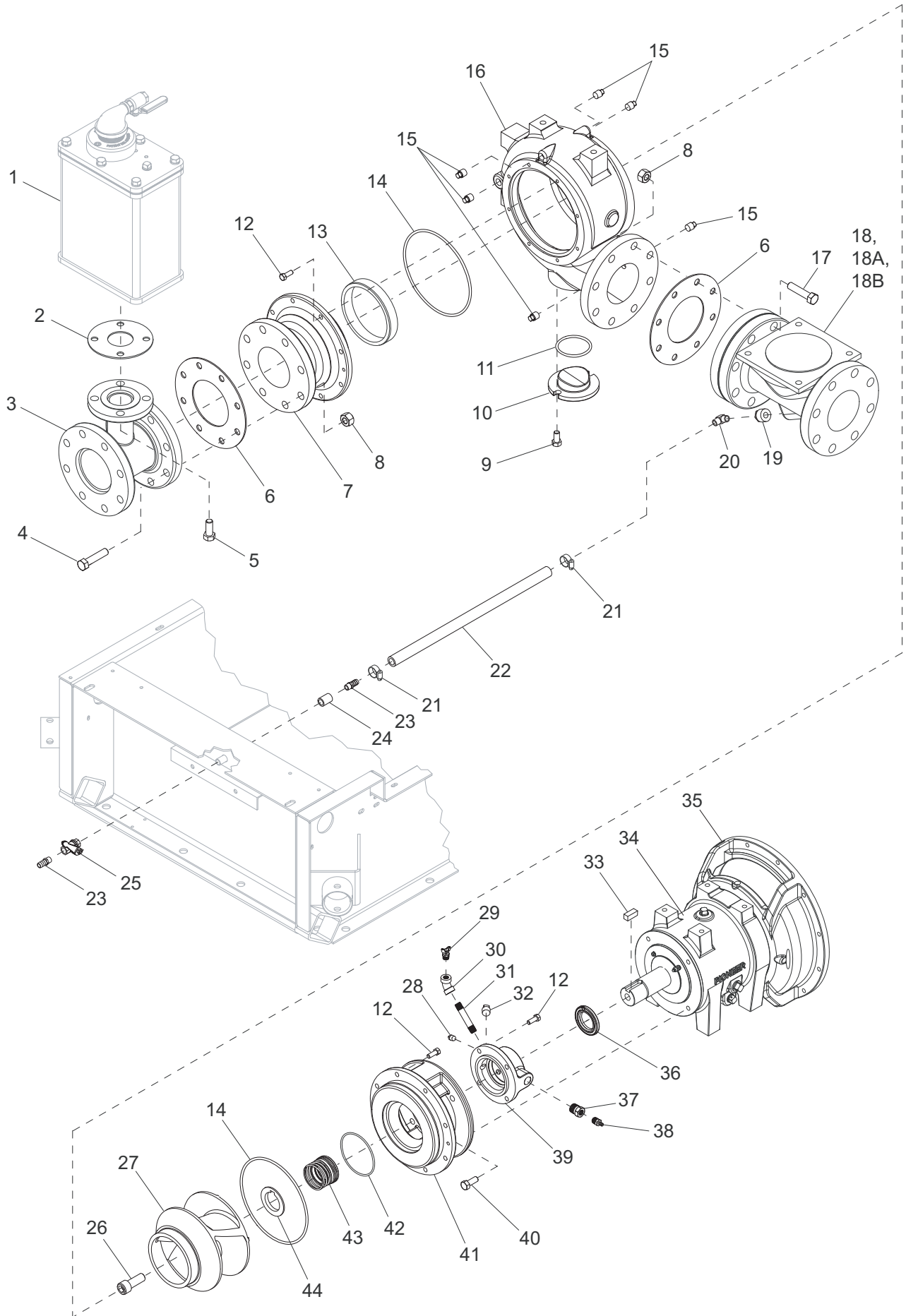
ITEM	PART NO.	QTY	DESCRIPTION	NOTES
1	49601	2	Thrust washer	
2	49591	1	Plug	
3	49586	1	Drive housing	
4	49592	1	Plug	
5	49588	1	Bearing	
6	49587	1	Drive shaft	
7	49602	1	Key	
8	49593	3	Plug	
9	49595	1	Ring	
10	49596	4	O-ring	
11	49599	8	Bolt	
12	49604	1	Grease fitting	
13	49598	1	Bell housing	
14	49600	1	Retaining ring	
15	49597	1	O-ring	
16	49589	1	Bearing	
17	49590	1	Plug	
18	49594	1	Plug	
19	49603	1	Plug	
--	49385	1	Assembly, bearing frame	Items 1 - 19

PRIMING CHAMBER ASSEMBLY



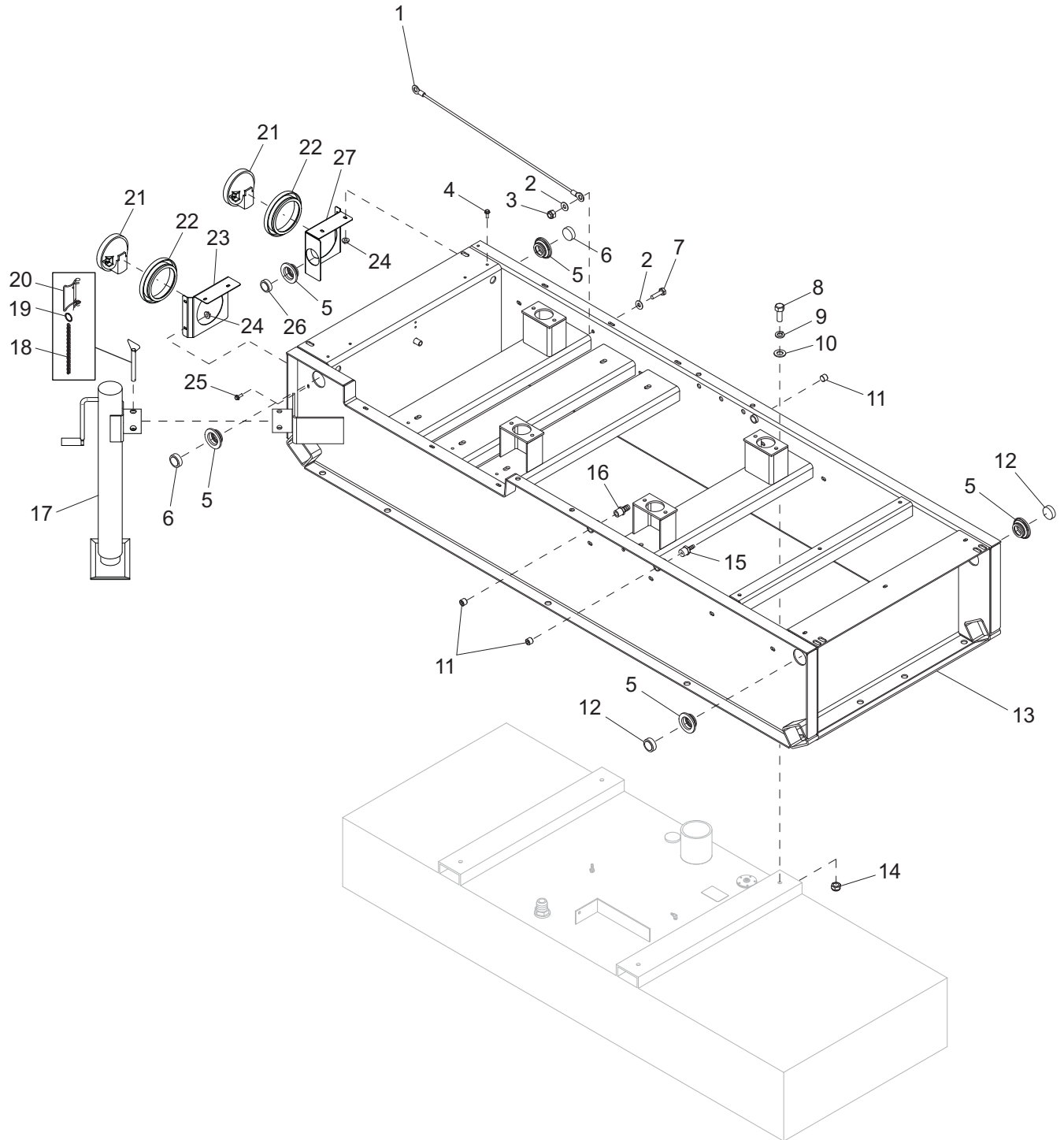
ITEM	PART NO.	QTY	DESCRIPTION	NOTES
1	49643	1	Elbow, 90° - 2 in. x 1/2 in. NPT	
2	49644	1	Nipple 1/2 in. NPT x close	
3	49645	1	Nipple 2.0 in. NPT x close	
4	49646	1	Valve 1/2 in. bronze ball	
5	49647	2	Washer, split lock .25, SS	
6	49648	2	Nut, hvy machine .25-20, SS	
7	49649	1	Valve washer	
8	49650	1	Spring, 2 in. long x 1.46 OD	
9	49651	1	Valve stem, SS	
10	49652	1	O-ring, 2-310 Viton	
11	49653	2	Bolt, soc hd .38-16UNCx1.5, SS	
12	49654	1	Valve seat	
13	49655	1	O-ring, 2-228 Viton	
14	49656	1	Valve adapter	
15	49561	6	Bolt, .50-13UNCx1.25, G5	
16	49657	6	Washer, split lock .50 STLPL	
17	49420	1	Gauge, vacuum	
18	19401	1	Fitting, strt - .500MNPTx.250FNPT	
19	49659	1	Lid, priming chamber	
20	49660	1	Gasket, priming chamber lid	
21	49661	1	Bracket, linkage, SS	
22	49662	2	Bolt, .38-16UNCx.63, SS	
23	49663	1	Linkage, upper arm	
24	49664	1	Washer, fender .25x1.25 OD, SS	
25	49666	2	Link, upper and lower arm	
26	49665	1	Float ball and arm	
27	49667	5	Pin, clevis - .187 dia. x 1.0, SS	
28	49668	5	Pin, cotter - .094 dia. x .50, SS	
29	49670	1	Strainer plate	
30	49669	2	Bolt, .31-18UNCx.75	
31	49671	2	Washer, .31 split lock, SS	
32	49672	1	Priming chamber	
33	49658	1	NPT pipe plug, square head, 1/2 in	
--	49837	1	Assembly, priming chamber	Items 1 - 33

INTERNAL PUMP ASSEMBLY



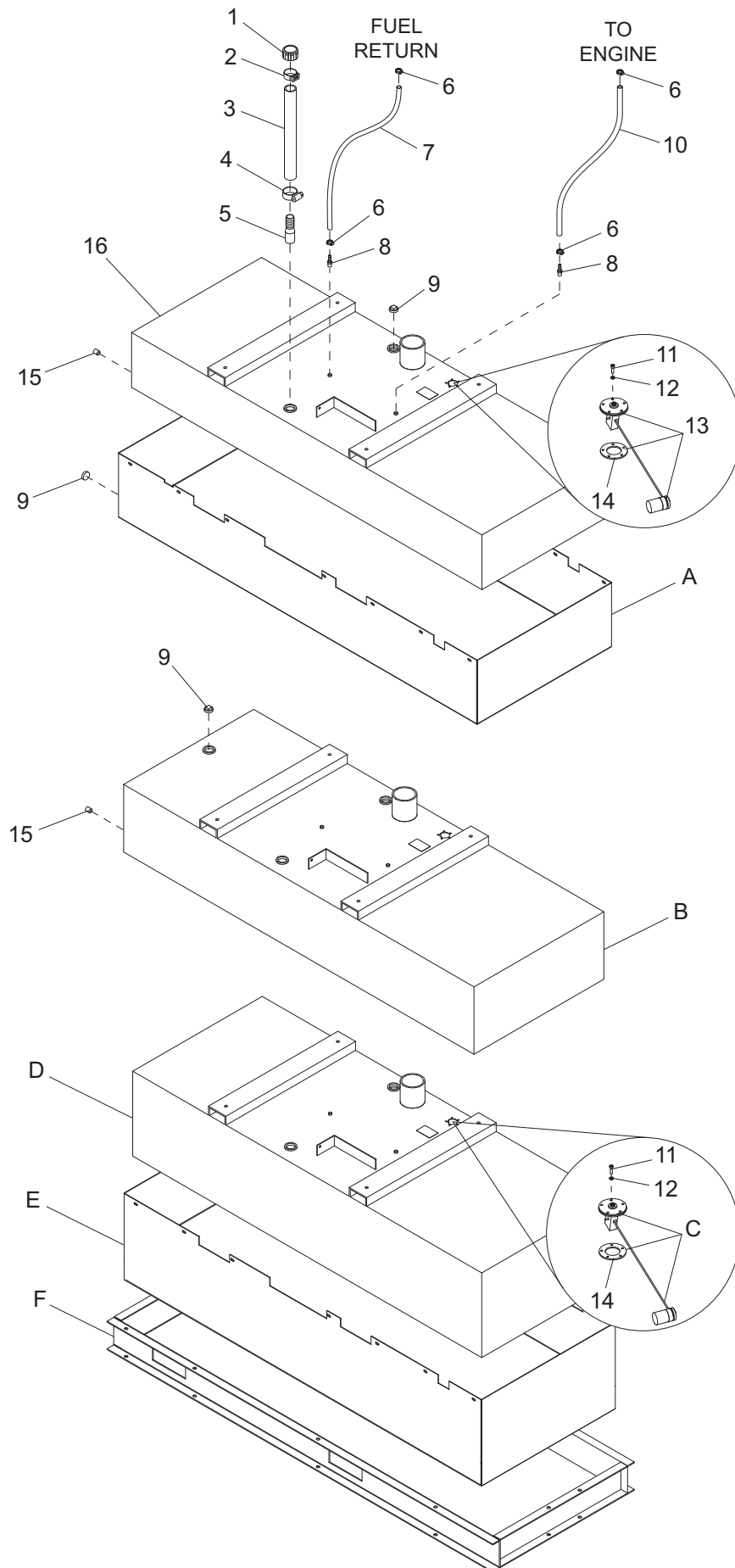
ITEM	PART NO.	QTY	DESCRIPTION	NOTES
1	49837	1	Assembly, priming chamber	See page 44
2	49839	1	Gasket flange, 2 in. 1/8 FF SBR 70d	
3	49567	1	Spool, 4 in. w/2 in. NPT	
4	49569	10	Bolt .62-11UNCx2.75	
5	49840	4	Bolt .62-11UNCx1.50, G5	
6	43660	2	Gasket, discharge flange	
7	49394	1	Suction cover	
8	49568	16	Nut, heavy hex .62-11UNC stl pl	
9	49566	2	Bolt .50-13UNCx1.00	
10	49397	1	Cleanout cover	
11	49381	1	O-ring	
12	49570	20	Bolt .38-1 UNCx1.00	
13	49393	1	Wear ring	
14	49395	2	O-ring	
15	49574	6	NPT pipe plug, square head, 3/8 in	
16	49396	1	Volute	
17	49565	6	Bolt .62-11UNCx3.00	
18	49564	1	Valve 4 in. check model 504A	
18A	49843	1	Flap valve, 4 in	Not shown
18B	49852	1	O-ring, 4 in	Not shown
19	61043	1	Fitting, strt - 1.00MNPTx.500FNPT	
20	61014	1	Fitting, 90° - .500MNPTx.625 barb, brs	
21	60365	2	Clamp, hose - SAE 010 (.56-1.06)	
22	50201	1.75 ft	Hose, .625, 200 psi, class A	
23	25931	2	Fitting, strt - .375NPTx.625 barb	
24	63116	1	Fitting, strt - .375FNPTx.375FNPT	
25	19280	1	Valve, ball .375NPTF	
26	30807	1	Impeller screw, SH .75-10x1.75	
27	30806	1	Impeller, premachine - 44S8/44S8B	
28	49575	1	NPT pipe plug, square head, 1/4 in	
29	49579	1	Valve, 1/4 in. petcock	
30	49578	1	Elbow, 45° 1/4 in. NPT	
31	49577	1	Nipple 1/4 in. NPTx3.0	
32	49576	1	NPT pipe plug, square head, 1/2 in	
33	49380	1	Key	
34	49385	1	Bearing housing	See page 42
35	49598	1	Bell housing	
36	49386	1	Lip seal	
37	49563	1	Pipe bushing 1/2x1/4	
38	49562	1	Fitting, 1/4 MPTx1/4 hose barb	
39	49387	1	Seal gland	
40	49561	4	Bolt, .500-13UNCx .25, G5	
41	49398	1	Brac-plate	
42	49383	1	O-ring	
43	49384	1	Mechanical seal	
44	49382	1	Spring guide	
--	49388	--	Impeller shim - .005	As required, not shown
--	49389	--	Impeller shim - .010	As required, not shown
--	49390	--	Impeller shim - .015	As required, not shown
--	49279B	1	Pump, 4.00 in. dry prime	Pages 42-47

SKID ASSEMBLY



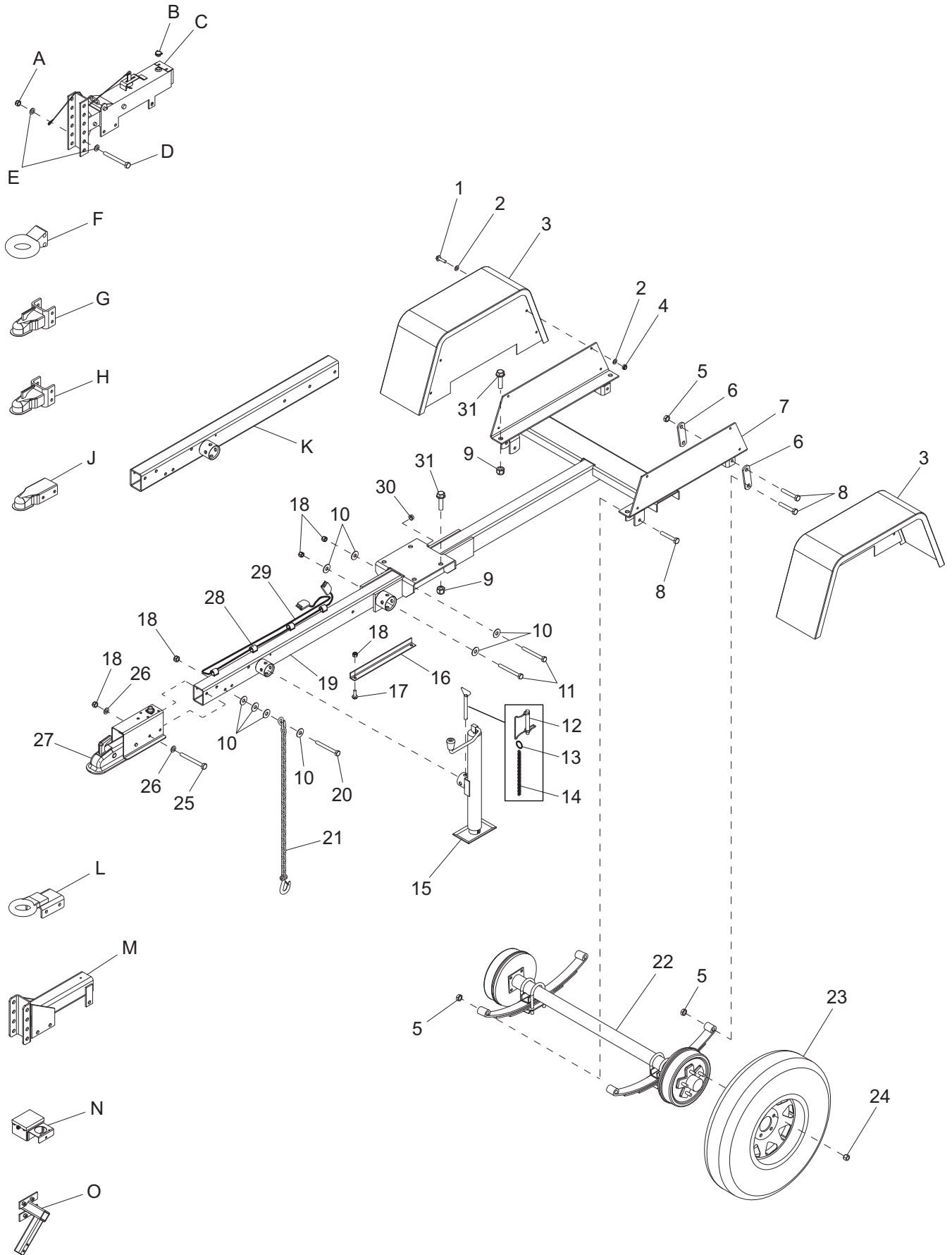
ITEM	PART NO.	QTY	DESCRIPTION	NOTES
1	49898	1	Tether, cable steel .188 dia. x 30.0	
2	60340	2	Washer, .312 flat .875/.040, SS	
3	60285	1	Nut, .312-18 hex, G2	
4	60479	4	Screw, .250-20x1.0 sflg hex	
5	66394	5	Grommet, sealed beam light, 2.0 in	
6	66397	2	Light, clearance - 2.0 in. red	
7	60507	1	Screw, .312-18x1.0 std hex, SS	
8	61101	4	Screw, .500-13x1.50 std hex ,G8	
9	60276	4	Washer, .500 split lock	
10	60309	4	Washer, .500 flat 1.060/.090	
11	18394	3	Fitting, plug - .500NPT x internal hex	
12	66396	2	Light, clearance - 2.0 in. amber	
13	30994B	1	Weldment, skid	
14	62221	4	Nut, .500-13 nylock, G5	
15	60999	1	Fitting, strt - .500MNPTx.312 barb, brs	
16	60502	1	Fitting, strt - .500MNPTx.625 barb, brs	
17	41133	2	Jack, side wind - 2000 lb, tube-mounted	
18	60707	.67 ft	Chain, sash - No. 8, SS	
19	60706	1	Ring, split - 1.00, SS	
20	23256	2	Pin, jack - tube-mounted	
21	10220	2	Light, rear tail/turn, round	
22	10221	2	Grommet, rear light - rubber 4.5 in	
23	29673B	1	Bracket, rear light - right side	
24	60161	8	Nut, .250-20 sflg, G5	
25	60175	4	Screw, .250-20x.500 sflg hex, G5	
26	66395	1	Light, utility - 2.0 in. clear	
27	29674B	1	Bracket, rear light - left side	
--	66701	2	Light, rear tail/turn, round LED	Option: LED light (not shown)
--	66702	2	Light, clearance - 2.0 in. amber LED	Option: LED light (not shown)
--	66703	2	Light, clearance - 2.0 in. red LED	Option: LED light (not shown)
--	66704	1	Light, Utility - 2.0 in. clear LED	Option: LED light (not shown)

FUEL TANK ASSEMBLY



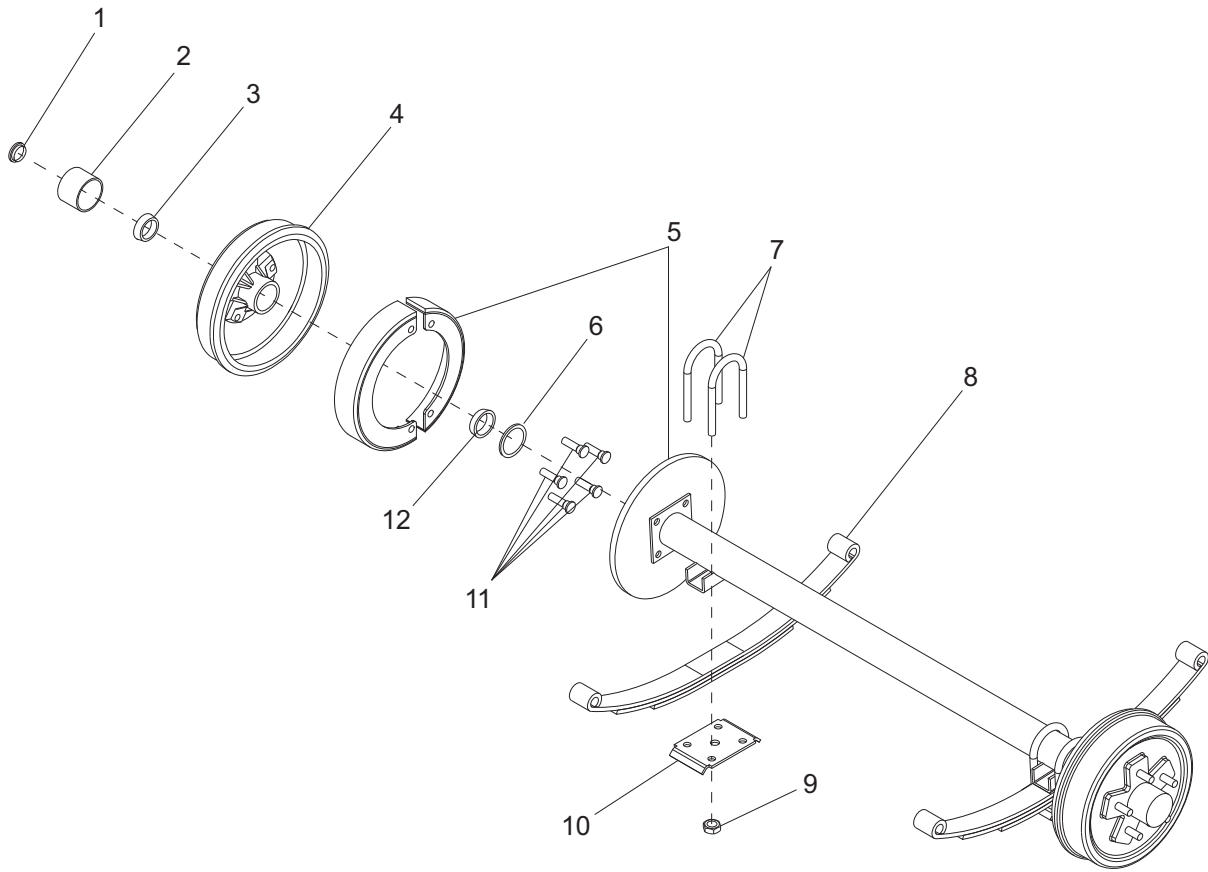
ITEM	PART NO.	QTY	DESCRIPTION	NOTES
1	26379	1	Vent, plastic fuel - 1.00 ID	
2	62040	1	Clamp, hose - 1.50 fuel hose, crimp style	
3	50019	2.83 ft	Hose, fuel - 1.00, SAE 20R3	
4	19338	1	Clamp, hose - SAE 016 (.68-1.50)	
5	21451	1	Fitting, 1.00MNPTx1.00 barb	
6	14216	4	Clamp, hose - SAE 004 (.21-.62) mini	
7	50018	2 ft	Hose, fuel - .312 ID, 50 psi, SAE 30R7	
8	15142	2	Fitting, strt - .250NPTx.312 barb	
9	65636	1	Plug - 1.00 NPT flush mount w/ hex soc	
10	50018	3 ft	Hose, fuel - .312 ID 50 psi, SAE 30R7	
11	60062	5	Screw, 10-32x.750 pan phil, G2	
12	60252	5	Washer, #10 split lock	
13	20571	1	Sender, fuel - 10-15 in. tank	
14	22323	1	Gasket, fuel sending unit	
15	18394	1	Fitting, plug - .500NPT x internal hex	
16	24308B	1	Tank, fuel - 106 gal	
A	26100B	1	Pan, 24 hr. containment	Option: 24 hour run w/cont.
B	26406B	1	Tank, fuel - 78 gal. double wall	Option: 78 gal. double wall tank
C	21206	1	Sender, fuel - 16-24 in. RH	Option: 36 hour run
D	26437B	1	Tank, fuel - 160 gal	Option: 160 gal. tank
E	26460B	1	Pan, 36 hr. containment	Option: 36 hour run w/cont.
F	27628B	1	Skid, fork pocket extension	Option: 36 hour run

TRAILER ASSEMBLY



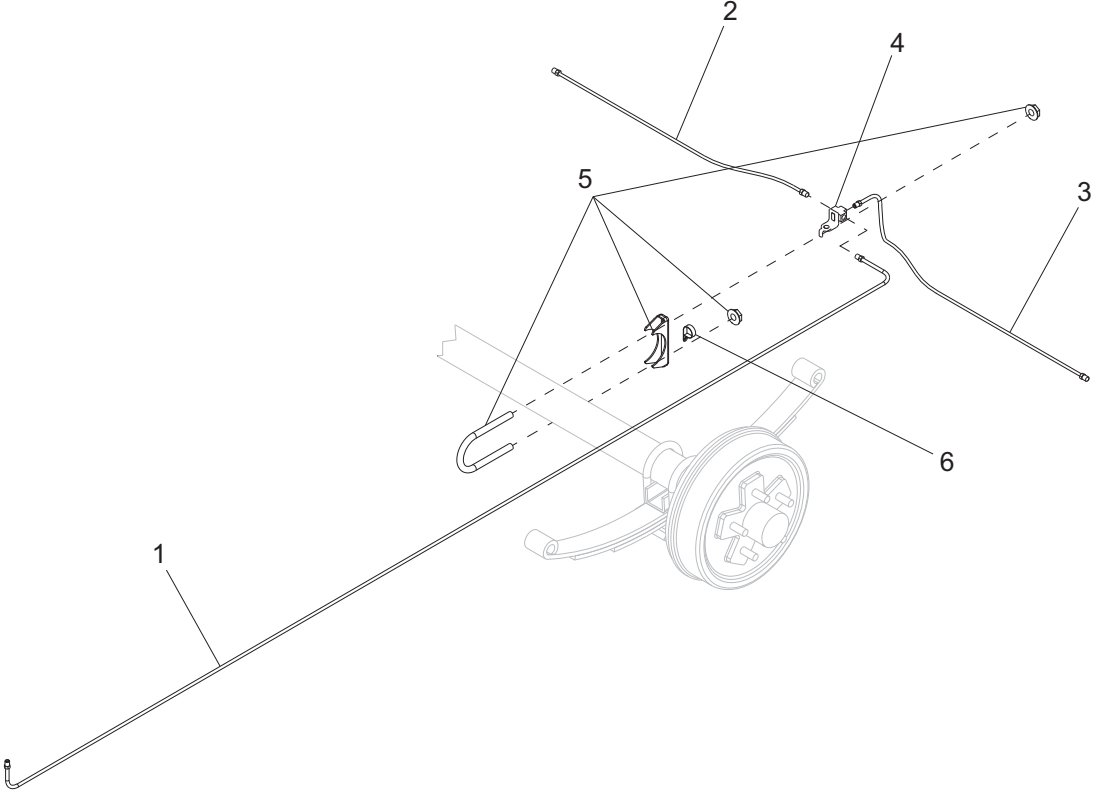
ITEM	PART NO.	QTY	DESCRIPTION	NOTES
1	61036	8	Screw, .375-16x1.250 std hex, SS	
2	60698	16	Washer, .375 flat .875/.040, SS	
3	22743B	2	Fender, single wheel	
4	60358	8	Nut, .375-16 nylock, G5	
5	60504	6	Nut, .562-18 locking hex, G5	
6	19637	4	Plate, shackle bracket	
7	24811B	1	Weldment, trailer chassis	
8	60503	6	Screw, shackle .562-18x3.0 std hex, G5	
9	15293	6	Nut, .750-10 hex, G5	
10	60416	14	Washer, .500 flat 1.375/.090	
11	61104	3	Screw, .500-13x5.50 std hex, G8	
12	23256	1	Pin, jack - tube mounted	
13	60706	1	Ring, split - 1.00, SS	
14	60707	.67 ft	Chain, sash - No. 8, SS	
15	13051	1	Jack assembly, 2000 lb - top wind	Tube mounted
16	24691B	1	Brace, tongue shipping	
17	61103	1	Screw, .500-13x1.750 sflg hex	
18	62221	5	Nut, .500-13 nylock, G5	
19	24812B	1	Weldment, tongue - flip non-adj actuator	
20	60376	2	Screw, .500-13x4.50 std hex, G5	
21	23367	2	Chain, safety	
22	22877	1	Axle, 5000 lb - hydraulic	
	22876	1	Axle, 5000 lb - electric	Option: electric brake
23	18377	2	Wheel, ST225/75R15	
24	60096	12	Nut, .500-20 wheel lug	
25	61099	2	Screw, .500-13x5.0 std hex, G8	
26	60309	4	Washer, .500 flat 1.060/.090	
27	24304	1	Actuator, 2 in. ball, 6000 lb	Hydraulic surge brake
28	15626	6	Clamp, tubing - .375 lt duty	
--	61010	1	Clamp, tubing - .375 hvy duty	Not shown
29	23390	1	Harness, trailer	
30	22340	2	Bushing, 1.0 ODx.750 ID	
31	61078	6	Screw, .625-11x2.0 flg hex, G8	
A	60240	2	Nut, .625-11 nylock	Option: adjustable hitch
B	30248	1	Cap, actuator, sealed	Option: adjustable hitch
C	40529	1	Actuator, hyd surge brk - adj	Option: adjustable hitch
D	60239	2	Screw, .625-11x5.0 std hex, G5	Option: adjustable hitch
E	60180	4	Washer, .625 flat 1.750/.120	Option: adjustable hitch
F	19335B	1	Coupler, lunette ring - 3 in. adj	Option: 3 in. ring adj. hitch
G	19519	1	Coupler, 2.31 in. ball	Option: 2.31 in. ball
H	19518	1	Coupler, 2 in. ball for adj. hitch	Option: 2 in. ball adjustable hitch
J	15103	1	Coupler, 2 in. ball/3 in. channel	Option: 2 in. ball hitch
K	11032	1	Weldment, lunette ring - 3 in	Option: 3 in. ring
L	19379B	1	Weldment, hitch elec. - 4 pos adj	Option: electric brake
M	19417	1	Breakaway kit	Option: electric brake
N	12235B	1	Weldment, spare tire holder	Option: spare tire holder
O	30931	1	Weldment, tongue - w/support plate	Option: adj. actuator/elec brakes

AXLE ASSEMBLY



ITEM	PART NO.	QTY	DESCRIPTION	NOTES
1	11254	2	Plug, grease cap - for zerk	
2	23170	2	Cap, grease - 5000 lb	
3	24831	2	Roller bearing - outer	
4	26452	2	Brake drum - 12 in. 6 on 5.5 in	
5	26572	2	Surge brake assembly, RH	
	26571	2	Surge brake assembly, LH	
	26574	2	Electric brake assembly, RH	Option: electric brake
	26573	2	Electric brake assembly, LH	Option: electric brake
6	24832	2	Bearing seal axle	
7	40875	4	U-bolt, axle	
8	23912	2	Spring, 5000 lb axle	
9	26441	8	U-bolt nut, 1/2-20 plated	
10	40874	2	Tie plate, axle	
11	60963	12	Stud, wheel - axle	
12	24830	2	Roller bearing - inner	

TRAILER BRAKE LINES - SINGLE AXLE, FLIP TONGUE



ITEM	PART NO.	QTY	DESCRIPTION	NOTES
1	24688	1	Hose, brake - .188x136.0	Male/male
2	40495	1	Line, brake - .188x20.0	
3	40494	1	Line, brake - .188x30.0	
4	19252	1	Fitting, .188 brake line T - w/bracket	All female
5	61028	1	Clamp, muffler - 2.50 lt duty	U-bolt and saddle
6	61010	1	Clamp, tubing - .375 hvy duty	

RECOMMENDED SPARE PARTS LIST

ENGINE

Alternator, engine	26270
Belt, compressor.....	31020
Belt, fan - John Deere	24845
Cable, push/pull throttle.....	41165
Cap, fuel fill.....	23707
Cap, radiator.....	19219
Cap, overflow jug.....	19714
Element, air filter.....	22874
Filter, fuel.....	23145
Filter, oil	29487
Fuel gauge.....	65631
Hose, radiator - upper.....	24797
Hose, radiator - lower	24798
Jug, overflow - 2.5 qt	24952
Sender, fuel (standard tank)	20571
Sensor, oil pressure	30242
Starter, engine - John Deere.....	23105
Switch, coolant temperature	65635
Switch, oil pressure	65656
Thermostat kit - John Deere	34061

PUMP

Compressor, air	49267
Coupling, bushing (hub)	49685
Coupling, flywheel	41191
Coupling, rubber driver	41192
Flap valve	49843
Gasket, compressor base.....	49421
Impeller.....	30806
Lip seal	49386
Mechanical seal kit	49384

ELECTRICAL

Controller, LOFA 750	32993
Relay, 12V/70A.....	66455
Sensor, coolant temp.....	30241
Sensor, low coolant	30942

TRAILER

Chain, safety.....	23367
Contact, E-stop.....	65584
Jack, side wind (rear)	41133
Light, clearance - amber.....	66396
Light, clearance - red.....	66397
Light, rear tail/turn.....	10220

REV: ORG
PART NO: 32298
05.09.13